



Contents

<i>About Us</i>	01
<i>Honor & Certification</i>	02
<i>LED Street Light</i>	
<i>Series-H</i>	03
<i>Series-K</i>	07
<i>Series-Kmini</i>	11
<i>Series-L</i>	13
<i>LED Bay/ FloodLight</i>	
<i>Series-H</i>	17
<i>Series-HB</i>	21
<i>Series-UFO</i>	25
<i>LED Canopy Light</i>	
<i>Series-A</i>	27
<i>Series-H</i>	29
<i>LED Tunnel Light</i>	
<i>Series-H</i>	33
<i>LED Solar StreetLight</i>	
<i>Series-PV</i>	37
<i>Series-PV2</i>	39
<i>LED Stadium Light</i>	
<i>Series-J</i>	43

About ZGSM

Welcome to ZGSM. For over 11 years, ZGSM has been dedicated to creating a better quality, eco-friendly, efficient lighting environment through diverse businesses of LED lighting, LED traffic signal, solar LED lighting system and more.

Company Information

Founded in 2005, Hangzhou ZGSM Technology Co., Ltd is located in Linglong Industrial Park, the west of Hangzhou. ZGSM is a hi-tech and private Enterprise devoted to R&D, producing and selling of high quality LED indoor/outdoor lights, LED traffic lights, solar panels and solar powered LED lighting system and so on. As one of the patent model enterprises and the first batch of saving energy service company in Zhejiang Province, we have registered more than 100 products; we are also the members of Illuminating Engineering Society and Semiconductor Industry Association in China.

ZGSM Research

ZGSM boasts a standard production line, import and export priority and the expertise of management, development, manufacturing and marketing team. Our products covers "LED street lights, LED high bay lights, LED gas station lights, LED floodlights, LED tunnel lights, LED Stadium light and other indoor/outdoor LED lights; LED traffic lights and signal controllers; solar LED street lights and solar powered generation systems. Our products take the advantage of energy saving, environmental friendly, long life and so on. Been widely used in indoor/outdoor lighting, city lighting, traffic instruction, solar power generation projects and other fields.

Customer and Partner Experience

ZGSM has passed ISO9001 and ISO14001 international quality and environmental management system certificates. All of our products have gotten CE, ROHS, most have passed CB, GS, UL, DLC, LM79, SAA, FCC certification and test report. Our D&R center is cooperating with many research institutes at domestic and abroad to develop the projects to provide customers with high-efficient, energy-saving, eco-friendly products and technical services. At present, our products have been exported to more than 80 countries and regions. ZGSM owns distribution network and a Ger-sales service in 30 provincial capital and listed cities in China. We also have participated many important constructive projects over the world, and gained high praise from our customers.

Our Values

Through innovative, reliable products and services; talented people; a responsible approach to business and global citizenship; and collaboration with our partners and customers, ZGSM is taking the world in a premium lighting experience.



ЭнТех

+7 (473) 333-02-64
entehoo.ru
office@entehoo.ru

Honor & Certification



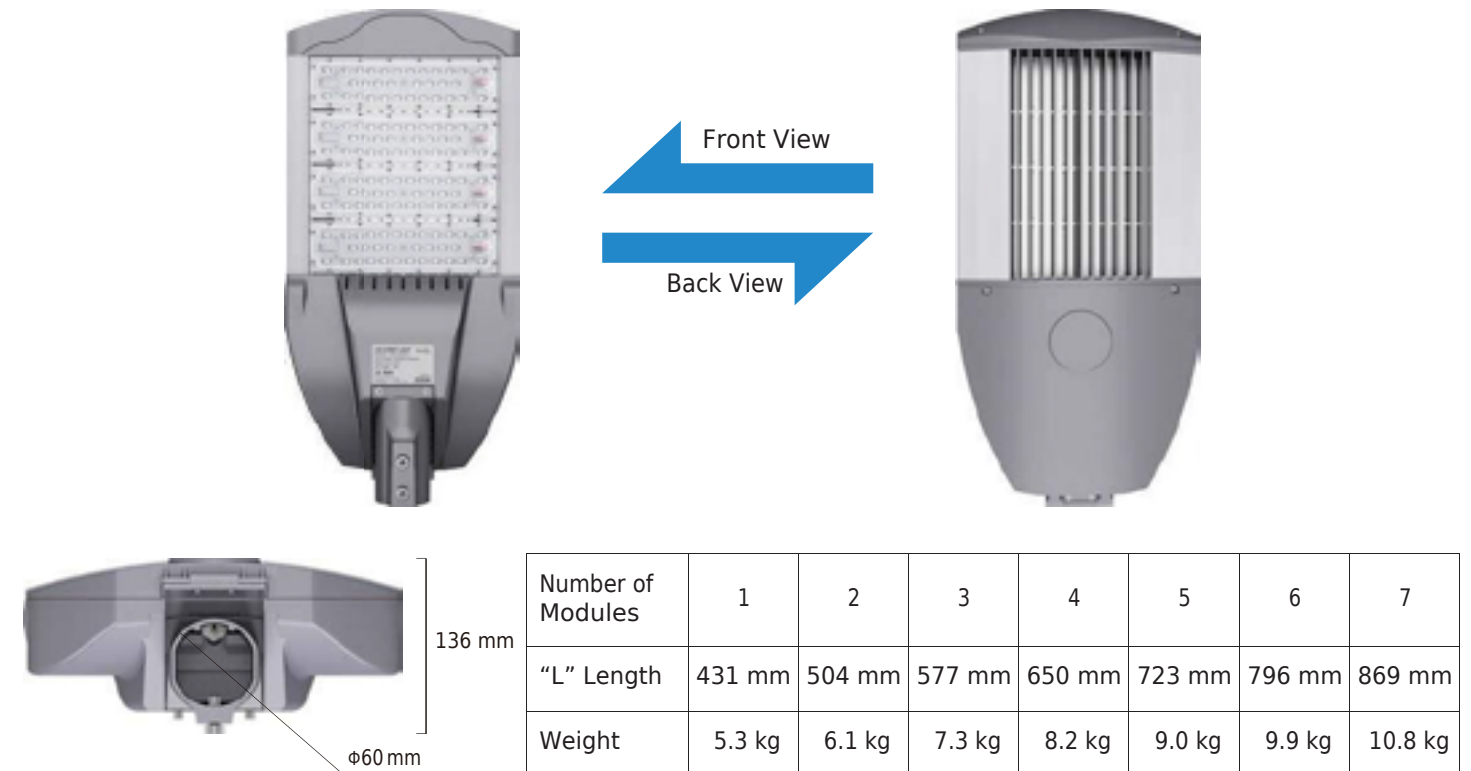
SERIES-H

LED STREET LIGHTS



SERIES-H

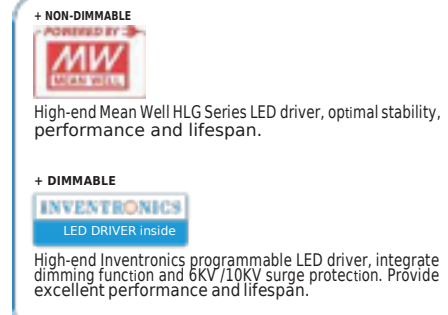
LED STREET LIGHTS



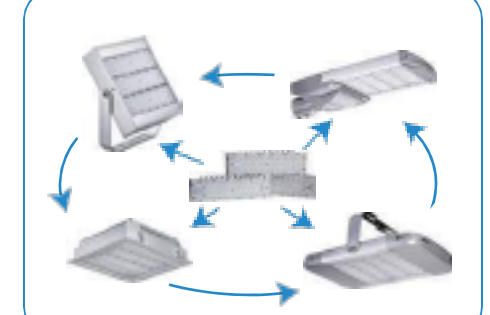
HIGH-EFFICACY LED LIGHT SOURCE



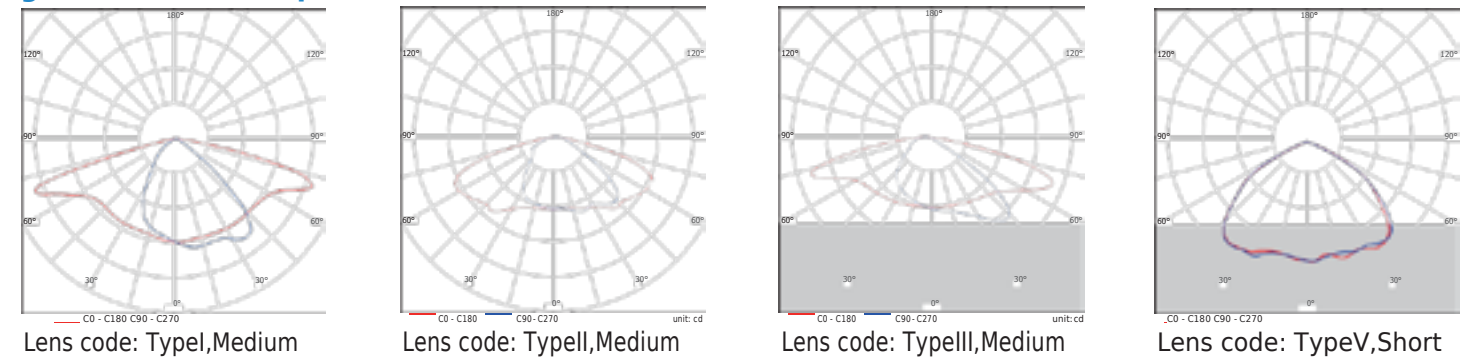
HIGH-END LED DRIVER (Two options)



FLEXIBLE COMBINATIONS OF MODULES



Light Distribution Options



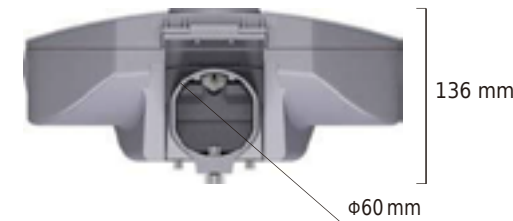
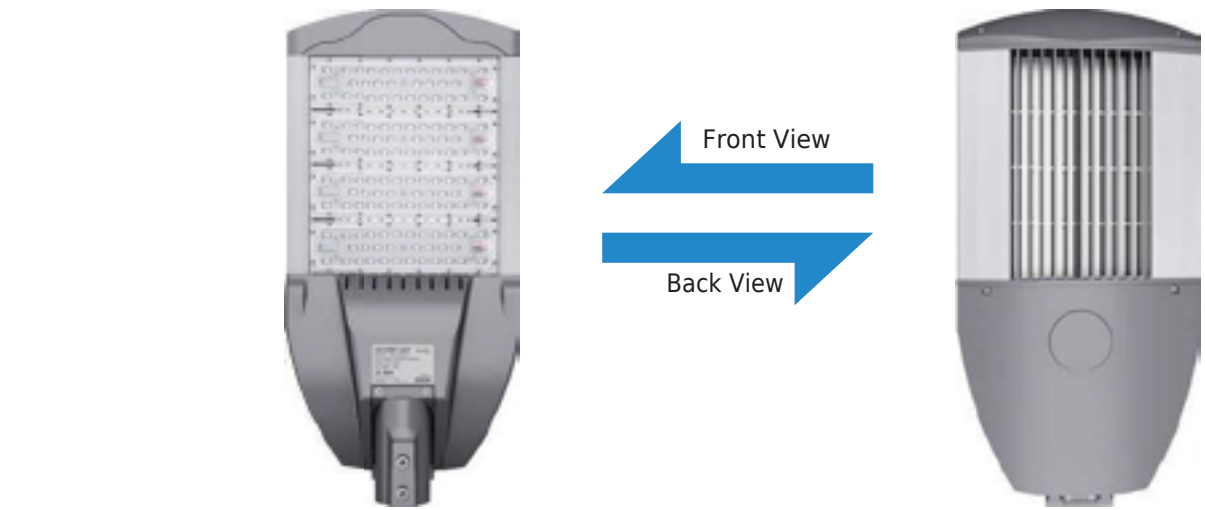
SERIES-H

LED STREET LIGHTS



SERIES-H

LED STREET LIGHTS

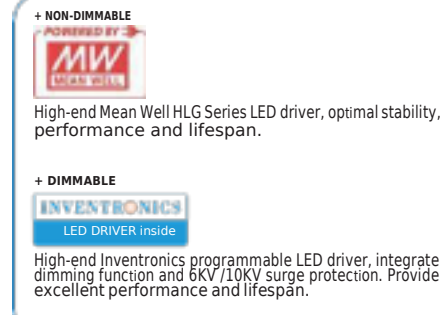


Number of Modules	1	2	3	4	5	6	7
"L" Length	431 mm	504 mm	577 mm	650 mm	723 mm	796 mm	869 mm
Weight	5.3 kg	6.1 kg	7.3 kg	8.2 kg	9.0 kg	9.9 kg	10.8 kg

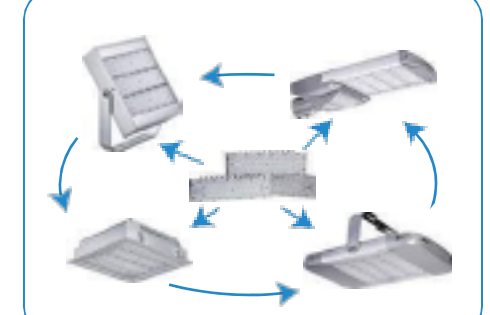
HIGH-EFFICACY LED LIGHT SOURCE



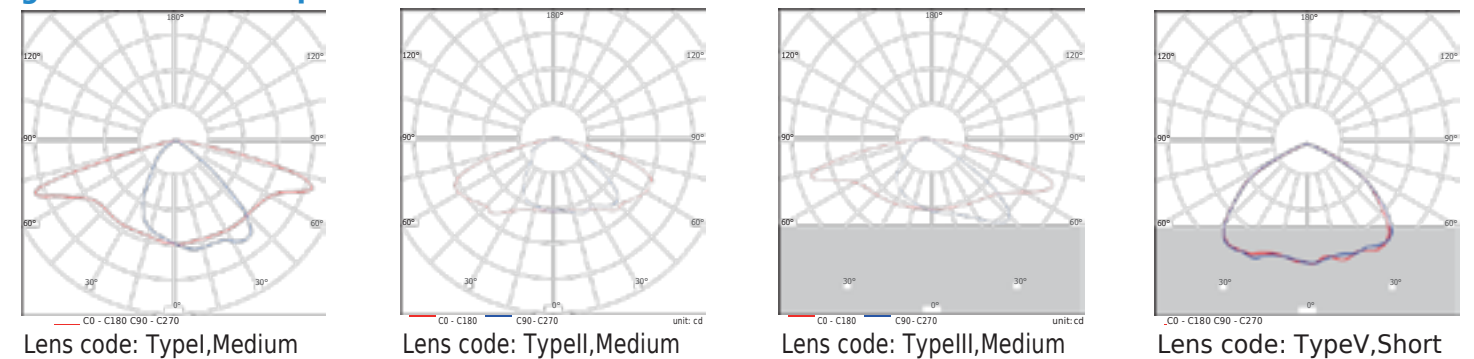
HIGH-END LED DRIVER (Two options)



FLEXIBLE COMBINATIONS OF MODULES



Light Distribution Options



SERIES-H

LED STREET LIGHTS

Electrical & Photometric

★ 3030 Version

Number of Modules	Model	LED Working Current	Power	Luminaire Efficacy (+/- 5%)	Lumen Output (+/- 5%)	Input Voltage	LED Brand	Driver Brand	Light Distributions	CCT (K)	Surge Protection Device	Lifetime (h)
1	ZGSM-LD40H4	95mA	40W	130 lm /w	5200 lm	100-240V /277V AC 50 /60Hz	Philips Lumileds 3030 2D	MeanWell Inventronics	TypeI, Medium TypeII, Medium TypeIII, Medium TypeV, Short	3000* 4000 5000 5700	10KV	>100,000 (L70)
	ZGSM-LD50H5	115mA	50W	125 lm /w	6250 lm							>80,000 (L70)
	ZGSM-LD60H6	145mA	60W	120 lm /w	7200 lm							>100,000 (L70)
2	ZGSM-LD80H4	100mA	80W	130 lm /w	10400 lm							>80,000 (L70)
	ZGSM-LD100H5	120mA	100W	125 lm /w	12500 lm							>100,000 (L70)
	ZGSM-LD120H6	145mA	120W	120 lm /w	14400 lm							>80,000 (L70)
3	ZGSM-LD120H4	100mA	120W	130 lm /w	15600 lm							>100,000 (L70)
	ZGSM-LD150H5	120mA	150W	125 lm /w	18750 lm							>80,000 (L70)
	ZGSM-LD180H6	145mA	180W	120 lm /w	21600 lm							>100,000 (L70)
4	ZGSM-LD160H4	100mA	160W	130 lm /w	20800 lm							>80,000 (L70)
	ZGSM-LD200H5	120mA	200W	125 lm /w	25000 lm							>100,000 (L70)
	ZGSM-LD240H6	145mA	240W	120 lm /w	28800 lm							>80,000 (L70)
5	ZGSM-LD200H4	100mA	200W	130 lm /w	26000 lm							>100,000 (L70)
	ZGSM-LD240H5	120mA	240W	125 lm /w	30000 lm							>100,000 (L70)

*Luminous Efficacy of 3000K is 5% lower than other CCTs.

★ 3535 Version

Number of Modules	Model	LED Working Current	Power	Luminaire Efficacy (+/- 5%)	Lumen Output (+/- 5%)	Input Voltage	LED Brand	Driver Brand	Light Distributions	CCT (K)	Surge Protection Device	Lifetime (h)
1	ZGSM-LD35H	750mA	35W	110 lm /w	3850 lm	100-240V /277V AC 50 /60Hz	Philips Lumileds Luxeon TX	MeanWell Inventronics	TypeI, Medium TypeII, Medium TypeIII, Medium TypeV, Short	3000* 4000 5000 5700	10KV	>100,000 (L70)
	ZGSM-LD40H2	860mA	40W	110 lm /w	4400 lm							
2	ZGSM-LD65H	750mA	65W	110 lm /w	7150 lm							
	ZGSM-LD80H2	900mA	80W	110 lm /w	8800 lm							
3	ZGSM-LD100H	750mA	100W	110 lm /w	11000 lm							
	ZGSM-LD120H2	900mA	120W	110 lm /w	13200 lm							
4	ZGSM-LD135H	750mA	135W	110 lm /w	14850 lm							
	ZGSM-LD160H2	900mA	160W	110 lm /w	17600 lm							
5	ZGSM-LD165H	750mA	165W	110 lm /w	18150 lm							
	ZGSM-LD200H2	900mA	200W	110 lm /w	22000 lm							
6	ZGSM-LD200H	750mA	200W	110 lm /w	22000 lm							
	ZGSM-LD240H2	900mA	240W	110 lm /w	26400 lm							
7	ZGSM-LD230H	750mA	230W	110 lm /w	25300 lm							
	ZGSM-LD280H2	900mA	280W	110 lm /w	30800 lm							

*Luminous Efficacy of 3000K is 5% lower than other CCTs.



+7 (473) 333-02-64
entehooo.ru
office@entehooo.ru

SERIES-H

LED STREET LIGHTS

★ 5050 Version

Number of Modules	Model	LED Working Current	Power	Luminaire Efficacy (+/- 5%)	Lumen Output (+/- 5%)	Input Voltage	LED Brand	Driver Brand	Light Distributions	CCT (K)	Surge Protection Device	Lifetime (h)
1	ZGSM-LD40H4	48mA	40W	160 lm /w	6400 lm	100-240V /277V AC 50 /60Hz	Philips Lumileds 5050	MeanWell Inventronics	TypeII, Medium TypeV, Short	3000* 4000 5000 5700	10KV	>100,000 (L70)
	ZGSM-LD50H5	59mA	50W	155 lm /w	7750 lm							
	ZGSM-LD60H6	75mA	60W	155 lm /w	9300 lm							
2	ZGSM-LD80H4	50mA	80W	165 lm /w	13200 lm							
	ZGSM-LD100H5	61mA	100W	160 lm /w	16000 lm							
	ZGSM-LD120H6	75mA	120W	155 lm /w	18600 lm							
3	ZGSM-LD120H4	50mA	120W	165 lm /w	19800 lm							
	ZGSM-LD150H5	58mA	150W	160 lm /w	24000 lm							
	ZGSM-LD180H6	75mA	180W	155 lm /w	27900 lm							
4	ZGSM-LD160H4	50mA	160W	165 lm /w	26400 lm							
	ZGSM-LD200H5	58mA	200W	160 lm /w	32000 lm							
	ZGSM-LD240H6	75mA	240W	155 lm /w	37200 lm							
5	ZGSM-LD200H4	50mA	200W	165 lm /w	33000 lm							
	ZGSM-LD240H5	61mA	240W	160 lm /w	38400 lm							

*Luminous Efficacy of 3000K is 5% lower than other CCTs.

Working Environment & Packing

Number of Modules	Working Environment	Storage Temperature	Rating	CRI	Power Factor	Power Efficiency	Material	Pole Diameter (mm)	Product Dimensions (mm)	Carton Size (mm)	N.W (kg)	G.W (kg)
1	-40°C ~ +50°C 10%~90%RH	-40°C ~ +50°C	Class I IP66 IK10	>70	>0.95	>90%	Housing: Die-cast aluminum; Heat sink: Stretched Aluminium Alloy; Lens: PC	60	431*316*136	480*370*200	5.3	6.3
2									504*316*136	555*370*200	6.1	7.3
3									577*316*136	630*370*200	7.3	8.6
4									650*316*136	705*370*200	8.2	9.6
5									723*316*136	780*370*200	9.0	10.6
6									796*316*136	855*370*200	9.9	11.6
7									869*316*136	930*370*200	10.8	12.6

Note: Above data of weight are all typical values.

Certification

Manufacturer
ISO9001, ISO14001
H Series [ZGSM-LD35H, ZGSM-LD65H, ZGSM-LD100H, ZGSM-LD135H, ZGSM-LD165H, ZGSM-LD200H, ZGSM-LD230H]
CE, ROHS, GS, CB, SAA, FCC, UL, cUL, DLC, LM79, LM80
H2 Series [ZGSM-LD40H2, ZGSM-LD80H2, ZGSM-LD120H2, ZGSM-LD160H2, ZGSM-LD200H2, ZGSM-LD240H2, ZGSM-LD280H2]
CE, ROHS, GS, CB, FCC, TUV-Mark, LM80
H4/H5 Series [ZGSM-LD40H4, ZGSM-LD80H4, ZGSM-LD120H4, ZGSM-LD160H4, ZGSM-LD200H4 ZGSM-LD50H5, ZGSM-LD100H5, ZGSM-LD150H5, ZGSM-LD200H5, ZGSM-LD240H5]
CE, ROHS, CB, FCC, ENEC, LM80
H6 Series [ZGSM-LD60H6, ZGSM-LD120H6, ZGSM-LD180H6, ZGSM-LD240H6]
CE, ROHS, LM80



SERIES-K

LED STREET LIGHTS



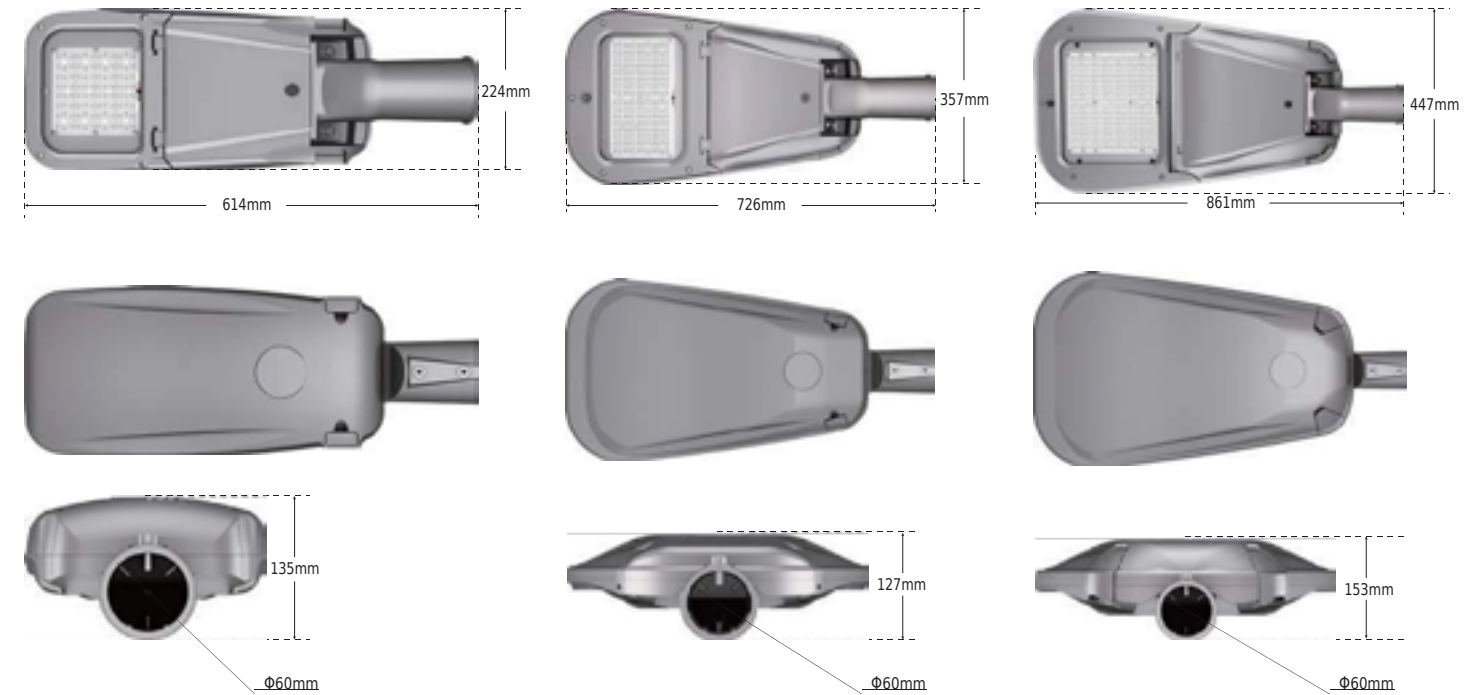
7 YEAR WARRANTY

SERIES-K

LED STREET LIGHTS

Design

★ External Design



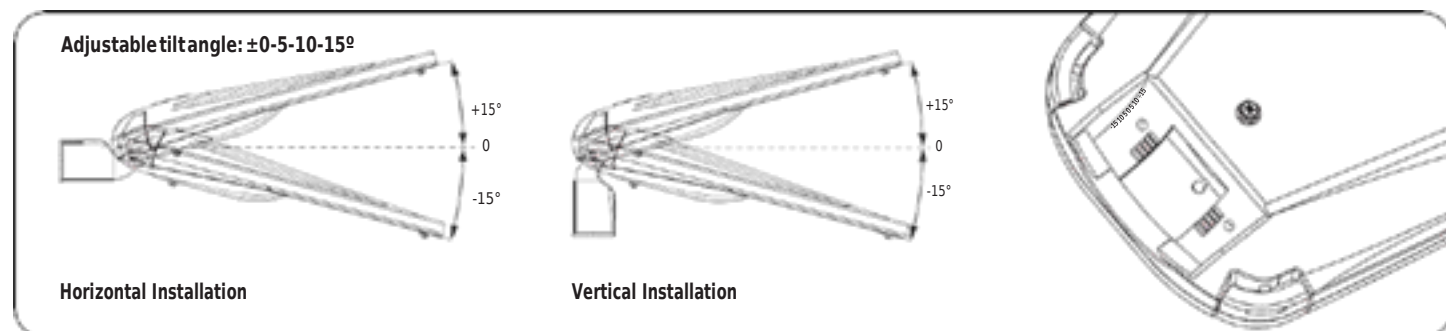
★ Internal Design

- Photocell available**
Lamp will Auto turn on and off according to lux difference.
- LED power supply**
+ **NON-DIMMABLE**
High-end MeanWell HLG Series LED driver, optimal stability, performance and lifespan.
+ **DIMMABLE**
High-end programmable Inventronics LED driver, integrate dimming function and 6KV/10KV surge protection. Provide excellent performance and lifespan.
- High-efficiency LED light source**
Philips Lumileds 3030 2D
Greater than 150lm/W high efficacy, illumination grade LED light source.
Philips Lumileds 5050
Greater than 185lm/W high efficacy, illumination grade LED light source.
- Power turn on protector**
When the lamp maintenance, Open lamp flash, Internal power lamp, Protect the safety of personnel.
- Surge protection device(10KV)**
To provide more reliable guarantee for LED drive power, extend the life of the product.
- Connect base**
Disassemble easily which reduces maintenance costs.
- Imported breather**
Lamp breather ensures air balance inside and outside of the lamp, which improves lamp service life.

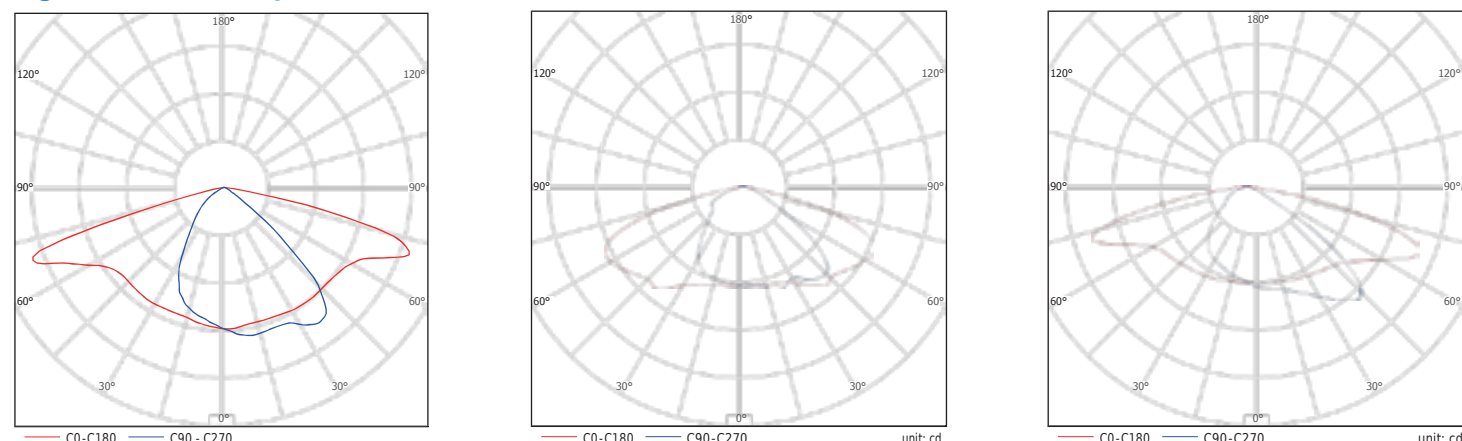
SERIES-K

LED STREET LIGHTS

Flexible Fiter



Light Distribution Options



Lens code: Typel,Medium

Lens code: Typell,Medium

Lens code: Typelll,Medium

Electrical & Photometric

★ 3030 Version

Series	Model	LED Qty/ Current	Power	Luminaire efficacy (+/- 5%)	Lumen Output (+/- 5%)	Input Voltage	LED Brand	Driver Brand	Light Distributions	CCT (K)	Surge Protection Device	Lifetime (h)
KS	ZGSM-LD25KS	48units/ 83mA	25W	115 lm /w	2875 lm	100-240V /277V AC 50 /60Hz	Philips Lumileds 3030 2D	MeanWell Inventronics	Typel, Medium Typell, Medium Typelll, Medium	3000* 4000 5000 5700	10KV	>100,000 (L70)
	ZGSM-LD35KS	72units/ 78mA	35W	115 lm /w	4025 lm							
	ZGSM-LD55KS	96units/ 88mA	55W	115 lm /w	6325 lm							
KM	ZGSM-LD60KM	96units/ 93mA	60W	125 lm /w	7500 lm							
	ZGSM-LD90KM	144units/ 93mA	90W	125 lm /w	11250 lm							
	ZGSM-LD120KM	192units/ 93mA	120W	125 lm /w	15000 lm							
KL	ZGSM-LD120KL	192units/ 93mA	120W	125 lm /w	15000 lm							
	ZGSM-LD150KL	240units/ 93mA	150W	125 lm /w	18750 lm							
	ZGSM-LD180KL	288units/ 93mA	180W	125 lm /w	22500 lm							
	ZGSM-LD200KL	336units/ 93mA	200W	125 lm /w	25000 lm							

*Luminous Efficacy of 3000K is 5% lower than other CCTs.

SERIES-K

LED STREET LIGHTS

★ 5050 Version

Series	Model	LED Qty/ Current	Power	Luminaire efficacy (+/- 5%)	Lumen Output (+/- 5%)	Input Voltage	LED Brand	Driver Brand	Light Distributions	CCT (K)	Surge Protection Device	Lifetime (h)
KS	ZGSM-LD25KS	24units/ 89mA	25W	140 lm /w	3500 lm	100-240V /277V AC 50 /60Hz	Philips Lumileds 5050	MeanWell Inventronics	Typell, Medium	3000* 4000 5000 5700	10KV	>100,000 (L70)
	ZGSM-LD35KS	36units/ 89mA	35W	140 lm /w	4900 lm							
	ZGSM-LD55KS	48units/ 90mA	55W	140 lm /w	7700 lm							
KM	ZGSM-LD60KM	48units/ 91mA	60W	145 lm /w	8700 lm							
	ZGSM-LD90KM	72units/ 91mA	90W	145 lm /w	13050 lm							
	ZGSM-LD120KM	96units/ 91mA	120W	145 lm /w	17400 lm							
KL	ZGSM-LD120KL	96units/ 91mA	120W	145 lm /w	17400 lm							
	ZGSM-LD150KL	120units/ 91mA	150W	145 lm /w	21750 lm							
	ZGSM-LD180KL	144units/ 91mA	180W	145 lm /w	26100 lm							
	ZGSM-LD200KL	168units/ 91mA	200W	145 lm /w	29000 lm							

*Luminous Efficacy of 3000K is 5% lower than other CCTs.

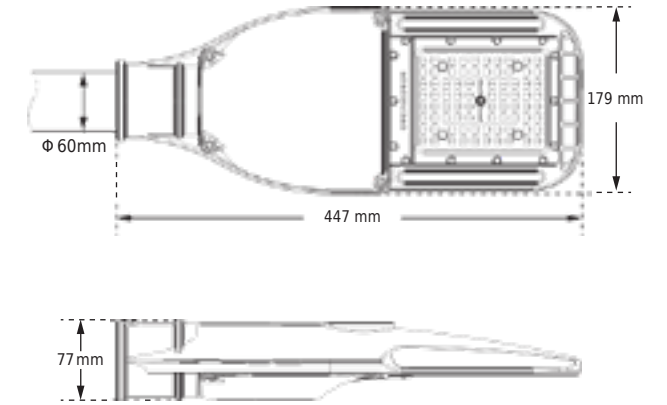
Working Environment & Packing

Model	Working Environment	Storage Temperature	Rating	CRI	Power Factor	Power Efficiency	Material	Pole Diameter (mm)	Product Dimensions (mm)	Carton Size (mm)	N.W (kg)	G.W (kg)
ZGSM-LD25KS	-40 °C ~ +50 °C 10%~90%RH	-40 °C ~ +50 °C	Class I IP66 IK08	>70	>0.95	>90%	Housing: Die-cast aluminum Lens: Tempered glass and PC	60	614*224*135	675*290*220	5.8	7.3
ZGSM-LD35KS									614*224*135	675*290*220	5.9	7.4
ZGSM-LD55KS									614*224*135	675*290*220	6.0	7.5
ZGSM-LD60KM									726*357*127	785*415*200	7.8	9.8
ZGSM-LD90KM									726*357*127	785*415*200	8.1	10.1
ZGSM-LD120KM									726*357*127	785*415*200	8.2	10.2
ZGSM-LD120KL									861*447*153	915*495*225	12.0	14.5
ZGSM-LD150KL									861*447*153	915*495*225	12.0	14.5
ZGSM-LD180KL									861*447*153	915*495*225	12.1	14.6
ZGSM-LD200KL									861*447*153	915*495*225	12.2	14.7

Note: Above data of weight are all typical values.

Certification

Manufacturer
ISO9001, ISO14001
K Series [ZGSM-LD25KS, ZGSM-LD35KS, ZGSM-LD55KS, ZGSM-LD60KM, ZGSM-LD90KM, ZGSM-LD120KM, ZGSM-LD120KL, ZGSM-LD150KL, ZGSM-LD180KL, ZGSM-LD200KL]
CE, ROHS, CB, FCC, LM79, LM80, ENEC



Electrical & Photometric

Series	Model	LED Qty/ Current	Power	Luminaire efficacy (+/- 5%)	Lumen Output (+/- 5%)	Input Voltage	LED Brand	Driver Brand	Dimming 0(1)-10V	Light Distributions	CCT (K)	Surge Protection Device	Lifetime (h)
Kmini	ZGSM-LD28Kmini	40units/ 100mA	28W	135 lm /w	3780 lm	100-240V /277V AC 50 /60Hz	Philips Lumileds 3030 2D	Inventronics	X	Typell, Medium	3000* 4000 5000 5700	10KV	>100,000 (L70)
	ZGSM-LD38Kmini	56units/ 100mA	38W	130 lm /w	4940 lm				√				
	ZGSM-LD57Kmini	80units/ 105mA	57W	130 lm /w	7410 lm				√				

*Luminous Efficacy of 3000K is 5% lower than other CCTs.

Working Environment & Packing

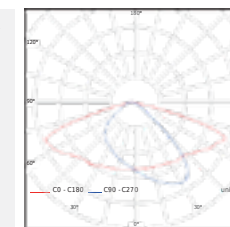
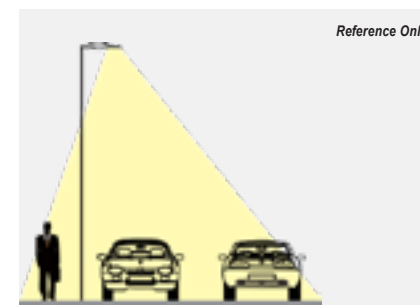
Model	Working Environment	Storage Temperature	Rating	CRI	Power Factor	Power Efficiency	Material	Pole Diameter (mm)	Product Dimensions (mm)	Carton Size (mm)	N.W (kg)	G.W (kg)		
ZGSM-LD28Kmini	-40.0°C ~ +50.0°C 10%~90%RH	-40 °C ~ +50 °C	Class I IP66 IK10	>70	>0.95	>90%	Housing: Die-cast aluminum Lens: PC	60	447*179*77	465*200*100	2.1	3.6		
ZGSM-LD38Kmini									447*179*77				2.2	3.7
ZGSM-LD57Kmini									447*179*77				2.3	3.8

Note: Above data of weight are all typical values.

Certification

Manufacturer
ISO9001, ISO14001
Kmini Series [ZGSM-LD28Kmini, ZGSM-LD38Kmini, ZGSM-LD57Kmini.]
CE, CB, ROHS, ENEC, LM80

Optics



TYPE II

The Type II lens of ZGSM Kmini series street light has beam angle of 65°x155 degrees. In the IESNA Standard, the Type II distribution is used for wide walkways, on ramps and entrance roadways, as well as other long, narrow lighting. It is generally applicable to where the width of the roadway does not exceed 1.75 times the designed mounting height.



SERIES-L

LED URBAN LIGHT



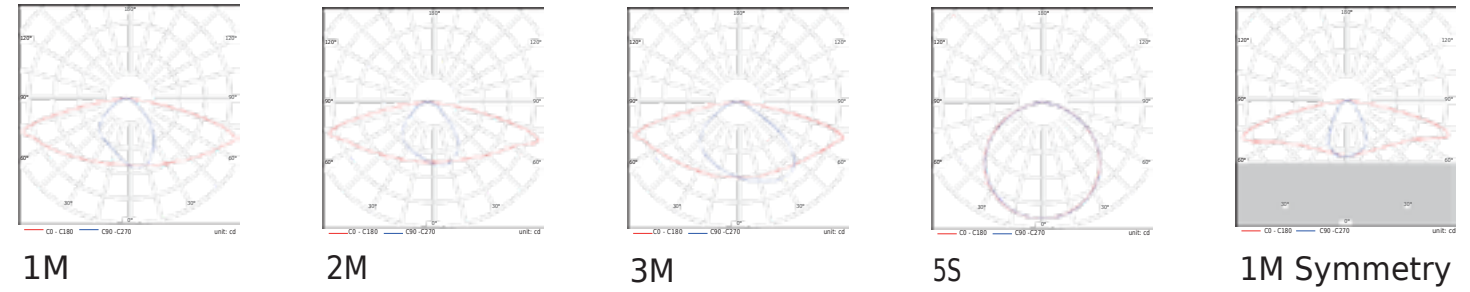
7 YEAR WARRANTY

SERIES-L

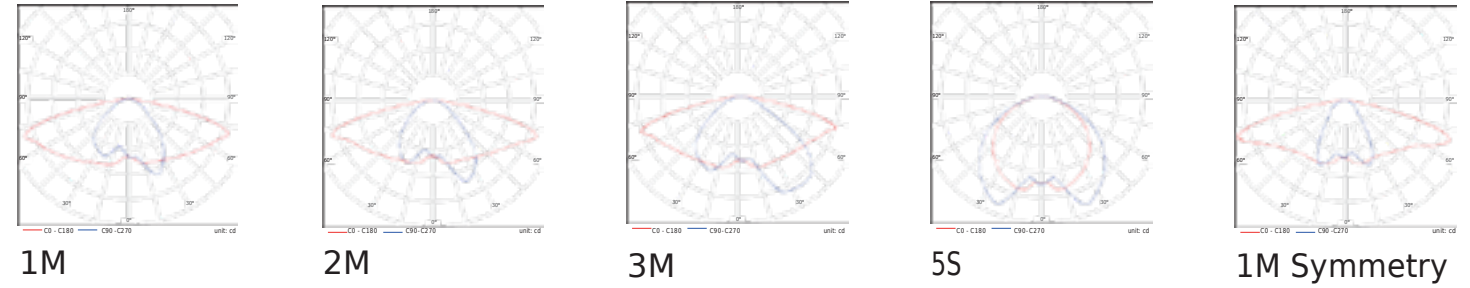
LED URBAN LIGHT

Light Distributions

★ Pendant Mounted | Side Entry Mounted | Suspended Mounted



★ Post Top Mounted

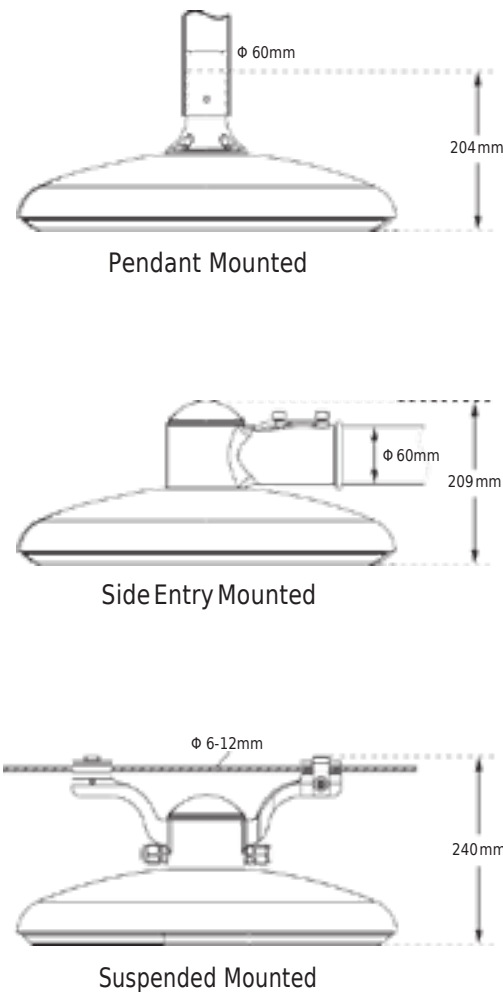
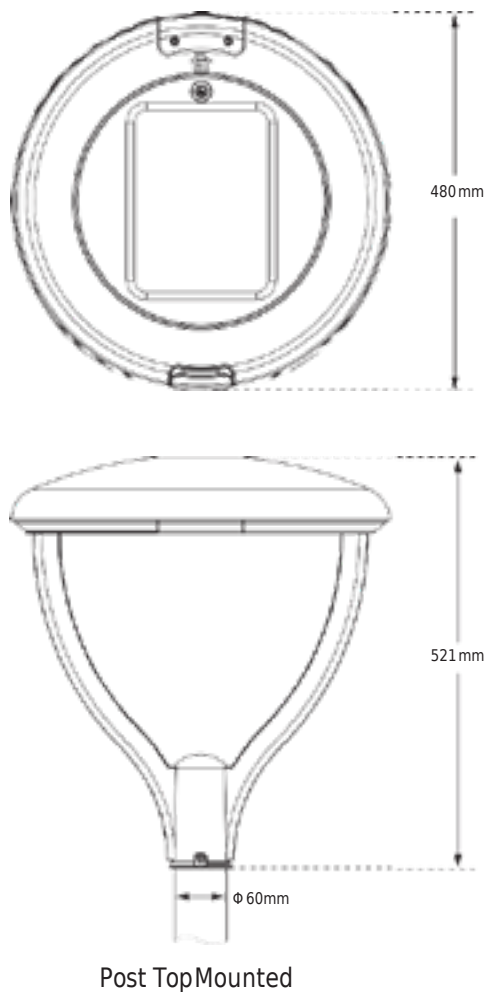


★ Internal Design

- LED power supply**
+ **NON-DIMMABLE**
High-end MeanWell HL-G Series LED driver, optimal stability, performance and lifespan.
- + DIMMABLE**
High-end programmable Inventronics LED driver, integrate dimming function and 6KV/10KV surge protection. Provide excellent performance and lifespan.
- High-efficacy LED light source**
Philips Lumileds 3030 2D
Greater than 165lm/W high efficacy, illumination grade LED light source.
Philips Lumileds 5050
Greater than 185lm/W high efficacy, illumination grade LED light source.
- Imported breather**
Lamp breather ensures air balance inside and outside of the lamp, which improves lamp's service life.
- Easy Maintenance**
Tool-less quick-release latches for speedy access.
- Photocell available**
Lamp will Auto turn on and off according to lux difference.
- Surge protection device(10KV)**
To provide more reliable guarantee for LED driver, extend the life of the product.
- POWER TURN OFF PROTECTOR (Only Post Top Mounted available)**
Under maintenance, when the fixtures be opened, the power will be cut off to protect personal safety.

SERIES-L

LED URBAN LIGHT



Packing Details

★ Luminaire [Side Entry Mounted and Suspended Mounted]

Model	Carton Size (mm)	N.W (kg)	G.W (kg)
ZGSM-LD27LM	495*495*170	7.4	9.1
ZGSM-LD37LM	495*495*170	7.6	9.3
ZGSM-LD56LM	495*495*170	7.7	9.4
ZGSM-LD70LM	495*495*170	7.8	9.5
ZGSM-LD90LM	495*495*170	7.9	9.6
ZGSM-LD120LM	495*495*170	7.9	9.6

Note: Above data of weight are all typical values.

★ Accessories [Side Entry Mounted and Suspended Mounted]

Mounted Type	Carton Size (mm)	N.W (kg)	G.W (kg)
Side Entry Mounted	235*125*105	1.0	1.5
Suspended Mounted	355*150*105	0.8	1.5

Note: Above data of weight are all typical values.



+7 (473) 333-02-64
entehoo.ru
office@entehoo.ru

SERIES-L

LED URBAN LIGHT

Electrical & Photometric

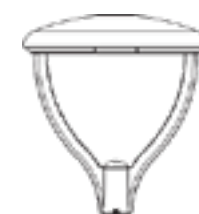
A: Post Top Mounted

B: Pendant Mounted

C: Side Entry Mounted

D: Suspended Mounted

Order Reference
ZGSM-LD120LM [A]



★ 3030 Version

Series	Model	LED Qty/ Current	Power	Luminaire efficacy (+/- 5%)	Lumen Output (+/- 5%)	Input Voltage	LED Brand	Driver Brand	Light Distributions	CCT (K)	Surge Protection Device	Lifetime (h)
L	ZGSM-LD27LM	72units/ 56mA	27W	130 lm /w*1	3510 lm	100-240V /277V AC 50 /60Hz	Philips Lumileds 3030 2D	MeanWell Inventronics	1M, 2M, 3M, 5S 1MSymmetry*2	3000*3 4000 5000 5700	10KV	>100,000 (L70)
	ZGSM-LD37LM	96units/ 59mA	37W	130 lm /w*1	4810 lm							
	ZGSM-LD56LM	120units/ 70mA	56W	130 lm /w*1	7280 lm							
	ZGSM-LD70LM	144units/ 78mA	70W	130 lm /w*1	9100 lm							
	ZGSM-LD90LM	168units/ 86mA	90W	130 lm /w*1	11700 lm							
	ZGSM-LD120LM	168units/ 110mA	120W	130 lm /w*1	15600 lm							

*1 Luminous Efficacy of post top mounted is 10% lower than other installation methods.

*2 Luminous Efficacy of 5S is 10% higher than other Light Distributions.

*3 Luminous Efficacy of 3000K is 5% lower than other CCTs.

★ 5050 Version

Series	Model	LED Qty/ Current	Power	Luminaire efficacy (+/- 5%)	Lumen Output (+/- 5%)	Input Voltage	LED Brand	Driver Brand	Light Distributions	CCT (K)	Surge Protection Device	Lifetime (h)
L	ZGSM-LD27LM	36units/ 28mA	27W	140 lm /w*1	3780 lm	100-240V /277V AC 50 /60Hz	Philips Lumileds 5050	MeanWell Inventronics	1M, 2M, 3M, 5S 1MSymmetry*2	3000*3 4000 5000 5700	10KV	>100,000 (L70)
	ZGSM-LD37LM	48units/ 29mA	37W	140 lm /w*1	5180 lm							
	ZGSM-LD56LM	60units/ 35mA	56W	140 lm /w*1	7840 lm							
	ZGSM-LD70LM	72units/ 40mA	70W	140 lm /w*1	9800 lm							
	ZGSM-LD90LM	84units/ 42mA	90W	140 lm /w*1	12600 lm							
	ZGSM-LD120LM	84units/ 56mA	120W	140 lm /w*1	16800 lm							

Mechanical

Model	Working Environment	Storage Temperature	Rating	CRI	Power Factor	Power Efficiency	Material	Pole/ Rope Diameter (mm)
ZGSM-LD27LM	-40~50°C 10%~90%RH	-40 °C ~ +50 °C	Class I IP66 IK08	>70	>0.95	>90%	Housing: Die-cast aluminum Lens: Tempered glass and PC	Side Entry Mounted: Φ 60mm(External diameter of the pole) Suspended Mounted: Φ 6-12mm(External diameter of the rope) Post Top Mounted: Φ 60mm(External diameter of the pole) Pendant Mounted: Φ 60mm(Internal diameter of the pole)
ZGSM-LD37LM								
ZGSM-LD56LM								
ZGSM-LD70LM								
ZGSM-LD90LM								
ZGSM-LD120LM								

Note: Above data of weight are all typical values.

-
-
-



SERIES-H
LED BAY/FLOODLIGHT



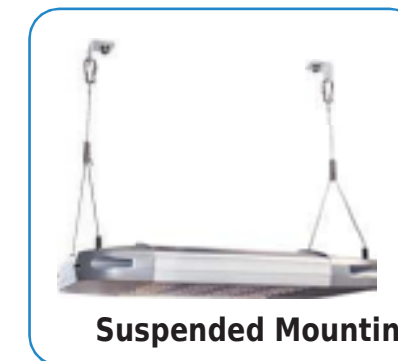
7 YEAR WARRANTY

SERIES-H
LED BAY/FLOOD LIGHTS

Variety applications



Bay light with short bracket



Bay light with suspension rope





Flood light with long bracket

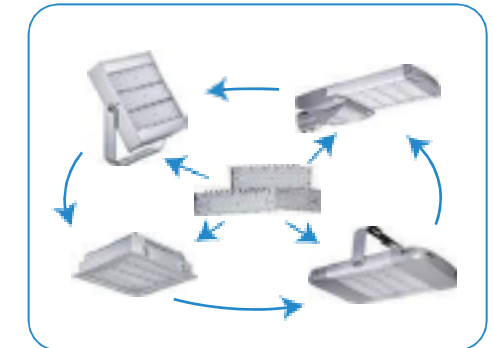
HIGH-EFFICACY LED LIGHT SOURCE

-  Philips Lumileds Luxeon LX
Greater than 135lm/W high efficacy, illumination grade LED light source.
-  Philips Lumileds 3030 2D
Greater than 150lm/W high efficacy, illumination grade LED light source.
-  Philips Lumileds 5050
Greater than 185lm/W high efficacy, illumination grade LED light source.

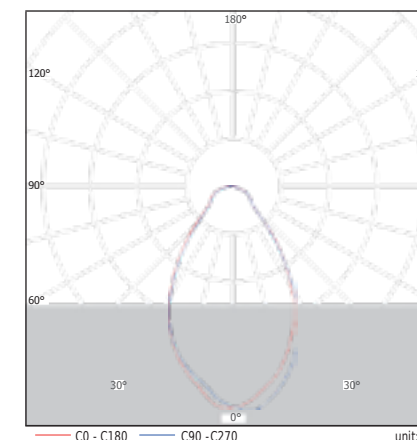
HIGH-END LED DRIVER (Two options)

- + NON-DIMMABLE**
 High-end Mean Well HLG Series LED driver, optimal stability, performance and lifespan.
- + DIMMABLE**
 High-end Inventronics programmable LED driver, integrate dimming function and 6KV/10KV surge protection. Provide excellent performance and lifespan.

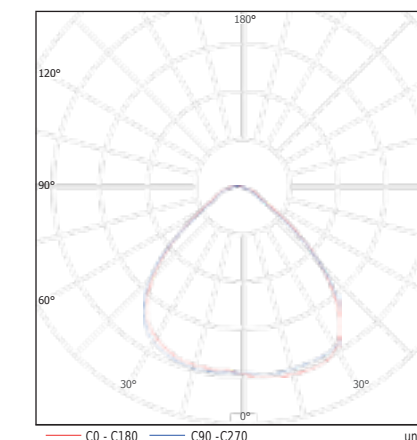
FLEXIBLE COMBINATIONS OF MODULES



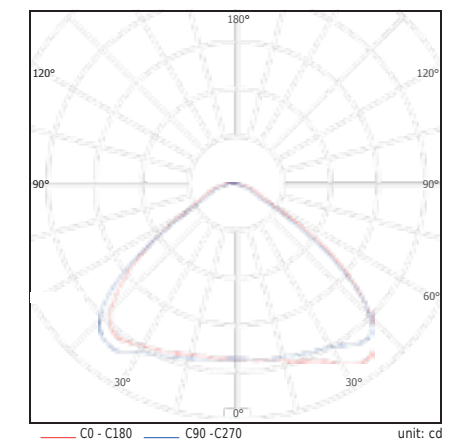
Light Distribution Options



Lens code: 60°



Lens code: 90°



Lens code: 110°

SERIES-H LED BAY/FLOOD LIGHTS

Electrical & Photometric

★ 3030 Version

Number of Modules	Model*1	LED Working Current	Power	Luminaire Efficacy (+/- 5%)	Lumen Output (+/- 5%)	Input Voltage	LED Brand	Driver Brand	Light Distributions	CCT (K)	Lifetime (h)
1	ZGSM-GCD40H4 ZGSM-FGD40H4	95mA	40W	130 lm /w	5200 lm	100-240V /277V AC 50 /60Hz	Philips Lumileds 3030 2D	MeanWell Inventronics	60° 90° 110°	3000*2 4000 5000 5700	>100,000 (L70)
	ZGSM-GCD50H5 ZGSM-FGD50H5	115mA	50W	125 lm /w	6250 lm						>80,000 (L70)
	ZGSM-GCD60H6 ZGSM-FGD60H6	145mA	60W	120 lm /w	7200 lm						>100,000 (L70)
2	ZGSM-GCD80H4 ZGSM-FGD80H4	100mA	80W	130 lm /w	10400 lm						>80,000 (L70)
	ZGSM-GCD100H5 ZGSM-FGD100H5	120mA	100W	125 lm /w	12500 lm						>100,000 (L70)
	ZGSM-GCD120H6 ZGSM-FGD120H6	145mA	120W	120 lm /w	14400 lm						>80,000 (L70)
3	ZGSM-GCD120H4 ZGSM-FGD120H4	100mA	120W	130 lm /w	15600 lm						>100,000 (L70)
	ZGSM-GCD150H5 ZGSM-FGD150H5	120mA	150W	125 lm /w	18750 lm						>80,000 (L70)
	ZGSM-GCD180H6 ZGSM-FGD180H6	145mA	180W	120 lm /w	21600 lm						>100,000 (L70)
4	ZGSM-GCD160H4 ZGSM-FGD160H4	100mA	160W	130 lm /w	20800 lm						>80,000 (L70)
	ZGSM-GCD200H5 ZGSM-FGD200H5	120mA	200W	125 lm /w	25000 lm						>100,000 (L70)
	ZGSM-GCD240H6 ZGSM-FGD240H6	145mA	240W	120 lm /w	28800 lm						>80,000 (L70)
5	ZGSM-GCD200H4 ZGSM-FGD200H4	100mA	200W	130 lm /w	26000 lm						>100,000 (L70)
	ZGSM-GCD240H5 ZGSM-FGD240H5	120mA	240W	125 lm /w	30000 lm						>80,000 (L70)

*1 Model of Bay Light: ZGSM-GCDXXHX | Model of Flood Light: ZGSM-FGDXXHX.

*2 Luminous Efficacy of 3000K is 5% lower than other CCTs.

★ 5050 Version

Number of Modules	Model*1	LED Working Current	Power	Luminaire Efficacy (+/- 5%)	Lumen Output (+/- 5%)	Input Voltage	LED Brand	Driver Brand	Light Distributions	CCT (K)	Lifetime (h)
1	ZGSM-GCD40H4 ZGSM-FGD40H4	48mA	40W	160 lm /w	6400 lm	100-240V /277V AC 50 /60Hz	Philips Lumileds 5050	MeanWell Inventronics	110°	3000*2 4000 5000 5700	>100,000 (L70)
	ZGSM-GCD50H5 ZGSM-FGD50H5	59mA	50W	155 lm /w	7750 lm						>80,000 (L70)
	ZGSM-GCD60H6 ZGSM-FGD60H6	75mA	60W	155 lm /w	9300 lm						>100,000 (L70)
2	ZGSM-GCD80H4 ZGSM-FGD80H4	50mA	80W	165 lm /w	13200 lm						>80,000 (L70)
	ZGSM-GCD100H5 ZGSM-FGD100H5	61mA	100W	160 lm /w	16000 lm						>100,000 (L70)
	ZGSM-GCD120H6 ZGSM-FGD120H6	75mA	120W	155 lm /w	18600 lm						>80,000 (L70)
3	ZGSM-GCD120H4 ZGSM-FGD120H4	50mA	120W	165 lm /w	19800 lm						>100,000 (L70)
	ZGSM-GCD150H5 ZGSM-FGD150H5	58mA	150W	160 lm /w	24000 lm						>80,000 (L70)
	ZGSM-GCD180H6 ZGSM-FGD180H6	75mA	180W	155 lm /w	27900 lm						>100,000 (L70)
4	ZGSM-GCD160H4 ZGSM-FGD160H4	50mA	160W	165 lm /w	26400 lm						>80,000 (L70)
	ZGSM-GCD200H5 ZGSM-FGD200H5	58mA	200W	160 lm /w	32000 lm						>100,000 (L70)
	ZGSM-GCD240H6 ZGSM-FGD240H6	75mA	240W	155 lm /w	37200 lm						>80,000 (L70)
5	ZGSM-GCD200H4 ZGSM-FGD200H4	50mA	200W	165 lm /w	33000 lm						>100,000 (L70)
	ZGSM-GCD240H5 ZGSM-FGD240H5	61mA	240W	160 lm /w	38400 lm						>80,000 (L70)

*1 Model of Bay Light: ZGSM-GCDXXHX | Model of Flood Light: ZGSM-FGDXXHX.

*2 Luminous Efficacy of 3000K is 5% lower than other CCTs.



+7 (473) 333-02-64
entehoo.ru
office@entehoo.ru

SERIES-H LED BAY/FLOOD LIGHTS

★ 3535 Version

Number of Modules	Model*1	LED Working Current	Power	Luminaire Efficacy (+/- 5%)	Lumen Output (+/- 5%)	Input Voltage	LED Brand	Driver Brand	Light Distributions	CCT (K)	Lifetime (h)
1	ZGSM-GCD40H ZGSM-FGD40H	860mA	40W	110 lm /w	4400 lm	100-240V /277V AC 50 /60Hz	Philips Lumileds Luxeon TX	MeanWell Inventronics	60° 90° 110°	3000*2 4000 5000 5700	>100,000 (L70)
2	ZGSM-GCD80H ZGSM-FGD80H	900mA	80W	110 lm /w	8800 lm						>80,000 (L70)
3	ZGSM-GCD120H ZGSM-FGD120H	900mA	120W	110 lm /w	13200 lm						>100,000 (L70)
4	ZGSM-GCD160H ZGSM-FGD160H	900mA	160W	110 lm /w	17600 lm						>80,000 (L70)
5	ZGSM-GCD200H ZGSM-FGD200H	900mA	200W	110 lm /w	22000 lm						>100,000 (L70)
6	ZGSM-GCD240H ZGSM-FGD240H	900mA	240W	110 lm /w	26400 lm						>80,000 (L70)

*1 Model of Bay Light: ZGSM-GCDXXHX | Model of Flood Light: ZGSM-FGDXXHX.

*2 Luminous Efficacy of 3000K is 5% lower than other CCTs.

Working Environment & Packing

Number of Modules	Working Environment	Storage Temperature	Rating	CRI	Power Factor	Power Efficiency	Material	Product Dimensions (mm)	Carton Size (mm)	N.W (kg)	G.W (kg)
1	-40 °C ~ +50 °C 10% ~ 90%RH	-40 °C ~ +50 °C	Class I IP66 IK10	>70	>0.95	>90%	Housing: Die-cast aluminum; Heat sink: Stretched Aluminium Alloy; Lens: PC	293*340*156(Bay Light) 293*340*186(Flood Light)	345*365*160	3.1	3.9
2								336*340*156(Bay Light) 336*340*223(Flood Light)	415*365*160	4.4	5.2
3								439*340*156(Bay Light) 439*340*259(Flood Light)	485*365*160	5.4	6.3
4								512*340*156(Bay Light) 512*340*296(Flood Light)	560*365*160	6.3	7.3
5								585*340*156(Bay Light) 585*340*332(Flood Light)	635*365*160	7.2	8.3
6								658*340*156(Bay Light) 658*340*369(Flood Light)	705*365*160	8.1	9.3

Note: Above data of weight are all typical values.

Certification

Manufacturer
ISO9001, ISO14001
H Series [ZGSM-GCD40H, ZGSM-GCD80H, ZGSM-GCD120H, ZGSM-GCD160H, ZGSM-GCD200H, ZGSM-GCD240H]
H Series [ZGSM-FGD40H, ZGSM-FGD80H, ZGSM-FGD120H, ZGSM-FGD160H, ZGSM-FGD200H, ZGSM-FGD240H]
CE, ROHS, GS, CB, SAA, UL, cUL, DLC, LM79, LM80
H4/H5 Series [ZGSM-GCD40H4, ZGSM-GCD80H4, ZGSM-GCD120H4, ZGSM-GCD160H4, ZGSM-GCD200H4 ZGSM-GCD50H5, ZGSM-GCD100H5, ZGSM-GCD150H5, ZGSM-GCD200H5, ZGSM-GCD240H5]
H4/H5 Series [ZGSM-FGD40H4, ZGSM-FGD80H4, ZGSM-FGD120H4, ZGSM-FGD160H4, ZGSM-FGD200H4 ZGSM-FGD50H5, ZGSM-FGD100H5, ZGSM-FGD150H5, ZGSM-FGD200H5, ZGSM-FGD240H5]
CE, ROHS, LM80
H6 Series [ZGSM-GCD60H6, ZGSM-GCD120H6, ZGSM-GCD180H6, ZGSM-GCD240H6 ZGSM-FGD60H6, ZGSM-FGD120H6, ZGSM-FGD180H6, ZGSM-FGD240H6]
CE, ROHS, LM80



Variety applications



Bay light with short bracket





Flood light with long bracket

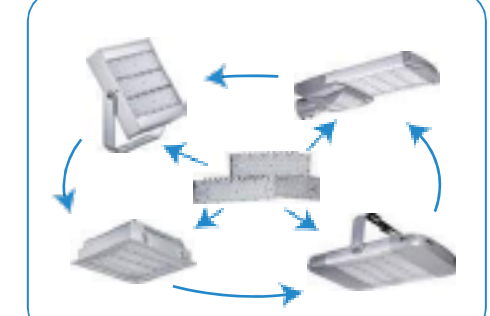
HIGH-EFFICACY LED LIGHT SOURCE

-  Philips Lumileds Luxeon TX
Greater than 135lm/W high efficacy, illumination grade LED light source.
-  Philips Lumileds 3030 2D
Greater than 150lm/W high efficacy, illumination grade LED light source.
-  Philips Lumileds 5050
Greater than 185lm/W high efficacy, illumination grade LED light source.

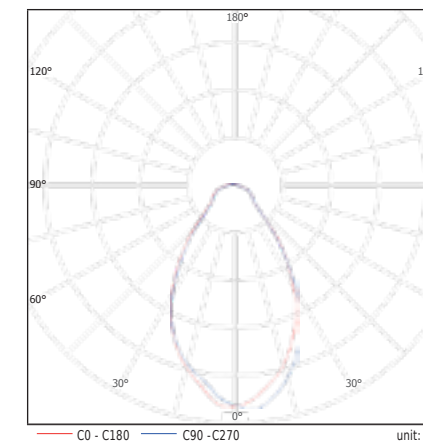
HIGH-END LED DRIVER (Two options)

-  **NON-DIMMABLE**
High-end Mean Well HLG Series LED driver, optimal stability, performance and lifespan.
-  **DIMMABLE**
High-end Inventronics programmable LED driver, integrate dimming function and 6KV/10KV surge protection. Provide excellent performance and lifespan.

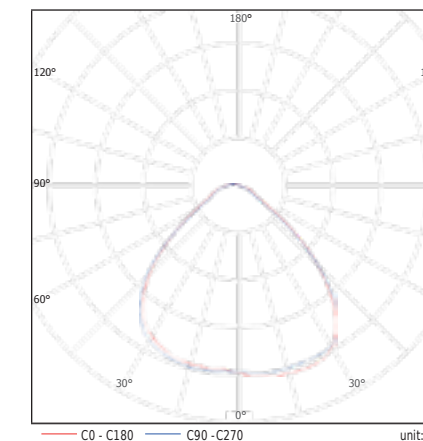
FLEXIBLE COMBINATIONS OF MODULES



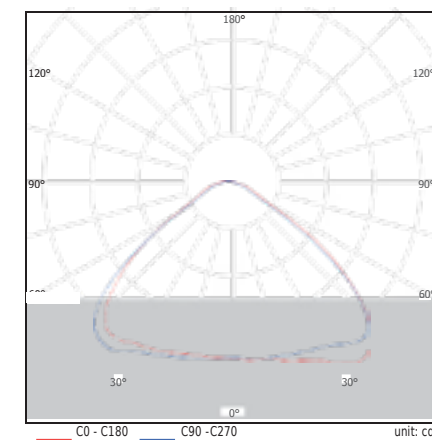
Light Distribution Options



Lens code: 60°



Lens code: 90°



Lens code: 110°

7 YEAR
WARRANTY

SERIES-HB

LED BAY/FLOOD LIGHTS

Electrical & Photometric

★ 3030 Version

Number of Modules	Model*1	LED Working Current	Power	Luminaire Efficacy (+/- 5%)	Lumen Output (+/- 5%)	Input Voltage	LED Brand	Driver Brand	Light Distributions	CCT (K)	Lifetime (h)
1	ZGSM-GCD40H4B ZGSM-FGD40H4B	95mA	40W	130 lm /w	5200 lm	100-240V /277V AC 50 /60Hz	Philips Lumileds 3030 2D	MeanWell Inventronics	60° 90° 110°	3000*2 4000 5000 5700	>100,000 (L70)
	ZGSM-GCD50H5B ZGSM-FGD50H5B	115mA	50W	125 lm /w	6250 lm						>80,000 (L70)
	ZGSM-GCD60H6B ZGSM-FGD60H6B	145mA	60W	120 lm /w	7200 lm						>100,000 (L70)
	ZGSM-GCD80H4B ZGSM-FGD80H4B	100mA	80W	130 lm /w	10400 lm						>80,000 (L70)
2	ZGSM-GCD100H5B ZGSM-FGD100H5B	120mA	100W	125 lm /w	12500 lm						>100,000 (L70)
	ZGSM-GCD120H6B ZGSM-FGD120H6B	145mA	120W	120 lm /w	14400 lm						>80,000 (L70)
	ZGSM-GCD120H4B ZGSM-FGD120H4B	100mA	120W	130 lm /w	15600 lm						>100,000 (L70)
3	ZGSM-GCD150H5B ZGSM-FGD150H5B	120mA	150W	125 lm /w	18750 lm						>80,000 (L70)
	ZGSM-GCD180H6B ZGSM-FGD180H6B	145mA	180W	120 lm /w	21600 lm						>100,000 (L70)
	ZGSM-GCD160H4B ZGSM-FGD160H4B	100mA	160W	130 lm /w	20800 lm						>80,000 (L70)
4	ZGSM-GCD200H5B ZGSM-FGD200H5B	120mA	200W	125 lm /w	25000 lm						>100,000 (L70)
	ZGSM-GCD240H6B ZGSM-FGD240H6B	145mA	240W	120 lm /w	28800 lm						>80,000 (L70)
	ZGSM-GCD200H4B ZGSM-FGD200H4B	100mA	200W	130 lm /w	26000 lm	>100,000 (L70)					
5	ZGSM-GCD240H5B ZGSM-FGD240H5B	120mA	240W	125 lm /w	30000 lm	>100,000 (L70)					

*1 Model of Bay Light: ZGSM-GCDXXHB | Model of Flood Light: ZGSM-FGDXXHB.

*2 Luminous Efficacy of 3000K is 5% lower than other CCTs.

★ 5050 Version

Number of Modules	Model*1	LED Working Current	Power	Luminaire Efficacy (+/- 5%)	Lumen Output (+/- 5%)	Input Voltage	LED Brand	Driver Brand	Light Distributions	CCT (K)	Lifetime (h)
1	ZGSM-GCD40H4B ZGSM-FGD40H4B	48mA	40W	160 lm /w	6400 lm	100-240V /277V AC 50 /60Hz	Philips Lumileds 5050	MeanWell Inventronics	110°	3000*2 4000 5000 5700	>100,000 (L70)
	ZGSM-GCD50H5B ZGSM-FGD50H5B	59mA	50W	155 lm /w	7750 lm						>100,000 (L70)
	ZGSM-GCD60H6B ZGSM-FGD60H6B	75mA	60W	155 lm /w	9300 lm						>100,000 (L70)
	ZGSM-GCD80H4B ZGSM-FGD80H4B	50mA	80W	165 lm /w	13200 lm						>100,000 (L70)
2	ZGSM-GCD100H5B ZGSM-FGD100H5B	61mA	100W	160 lm /w	16000 lm						>100,000 (L70)
	ZGSM-GCD120H6B ZGSM-FGD120H6B	75mA	120W	155 lm /w	18600 lm						>100,000 (L70)
	ZGSM-GCD120H4B ZGSM-FGD120H4B	50mA	120W	165 lm /w	19800 lm						>100,000 (L70)
3	ZGSM-GCD150H5B ZGSM-FGD150H5B	58mA	150W	160 lm /w	24000 lm						>100,000 (L70)
	ZGSM-GCD180H6B ZGSM-FGD180H6B	75mA	180W	155 lm /w	27900 lm						>100,000 (L70)
	ZGSM-GCD160H4B ZGSM-FGD160H4B	50mA	160W	165 lm /w	26400 lm						>100,000 (L70)
4	ZGSM-GCD200H5B ZGSM-FGD200H5B	58mA	200W	160 lm /w	32000 lm						>100,000 (L70)
	ZGSM-GCD240H6B ZGSM-FGD240H6B	75mA	240W	155 lm /w	37200 lm						>100,000 (L70)
	ZGSM-GCD200H4B ZGSM-FGD200H4B	50mA	200W	165 lm /w	33000 lm	>100,000 (L70)					
5	ZGSM-GCD240H5B ZGSM-FGD240H5B	61mA	240W	160 lm /w	38400 lm	>100,000 (L70)					

*1 Model of Bay Light: ZGSM-GCDXXHB | Model of Flood Light: ZGSM-FGDXXHB.

*2 Luminous Efficacy of 3000K is 5% lower than other CCTs.



+7 (473) 333-02-64
entehoo.ru
office@entehoo.ru

SERIES-HB

LED BAY/FLOOD LIGHTS

★ 3535 Version

Number of Modules	Model*1	LED Working Current	Power	Luminaire Efficacy (+/- 5%)	Lumen Output (+/- 5%)	Input Voltage	LED Brand	Driver Brand	Light Distributions	CCT (K)	Lifetime (h)
1	ZGSM-GCD40HB ZGSM-FGD40HB	860mA	40W	110 lm /w	4400 lm	100-240V /277V AC 50 /60Hz	Philips Lumileds Luxeon TX	MeanWell Inventronics	60° 90° 110°	3000*2 4000 5000 5700	>100,000 (L70)
2	ZGSM-GCD80HB ZGSM-FGD80HB	900mA	80W	110 lm /w	8800 lm						>100,000 (L70)
3	ZGSM-GCD120HB ZGSM-FGD120HB	900mA	120W	110 lm /w	13200 lm						>100,000 (L70)
4	ZGSM-GCD160HB ZGSM-FGD160HB	900mA	160W	110 lm /w	17600 lm						>100,000 (L70)
5	ZGSM-GCD200HB ZGSM-FGD200HB	900mA	200W	110 lm /w	22000 lm						>100,000 (L70)
6	ZGSM-GCD240HB ZGSM-FGD240HB	900mA	240W	110 lm /w	26400 lm						>100,000 (L70)

*1 Model of Bay Light: ZGSM-GCDXXHB | Model of Flood Light: ZGSM-FGDXXHB.

*2 Luminous Efficacy of 3000K is 5% lower than other CCTs.

Working Environment & Packing

Number of Modules	Working Environment	Storage Temperature	Rating	CRI	Power Factor	Power Efficiency	Material	Product Dimensions (mm)	Carton Size (mm)	N.W (kg)	G.W (kg)
1	-40 °C ~ +50 °C 10%~90%RH	-40 °C ~ +50 °C	Class I IP66 IK10	>70	>0.95	>90%	Housing: Aluminium Alloy; Lens: PC	166*270*165(Bay Light) 166*270*190(Flood Light)	285*370*200	2.4	3.1
2								239*270*165(Bay Light) 239*270*227(Flood Light)	355*370*200	3.6	4.4
3								312*270*165(Bay Light) 312*270*263(Flood Light)	430*370*200	4.5	5.4
4								385*270*165(Bay Light) 385*270*300(Flood Light)	505*370*200	5.4	6.3
5								458*270*165(Bay Light) 458*270*336(Flood Light)	580*370*200	6.3	7.2
6								531*270*165(Bay Light) 531*270*373(Flood Light)	650*370*200	7.1	8.1

Note: Above data of weight are all typical values.

Certification

Manufacturer
ISO9001, ISO14001
HB Series [ZGSM-GCD40HB, ZGSM-GCD80HB, ZGSM-GCD120HB, ZGSM-GCD160HB, ZGSM-GCD200HB, ZGSM-GCD240HB]
HB Series [ZGSM-FGD40HB, ZGSM-FGD80HB, ZGSM-FGD120HB, ZGSM-FGD160HB, ZGSM-FGD200HB, ZGSM-FGD240HB]
CE, ROHS, GS, CB, SAA, UL, cUL, DLC, LM79, LM80
H4B/H5B Series [ZGSM-GCD40H4B, ZGSM-GCD80H4B, ZGSM-GCD120H4B, ZGSM-GCD160H4B, ZGSM-GCD200H4B ZGSM-GCD50H5B, ZGSM-GCD100H5B, ZGSM-GCD150H5B, ZGSM-GCD200H5B, ZGSM-GCD240H5B]
H4B/H5B Series [ZGSM-FGD40H4B, ZGSM-FGD80H4B, ZGSM-FGD120H4B, ZGSM-FGD160H4B, ZGSM-FGD200H4B ZGSM-FGD50H5B, ZGSM-FGD100H5B, ZGSM-FGD150H5B, ZGSM-FGD200H5B, ZGSM-FGD240H5B]
CE, ROHS, LM80
H6B Series [ZGSM-GCD60H6B, ZGSM-GCD120H6B, ZGSM-GCD180H6B, ZGSM-GCD240H6B ZGSM-FGD60H6B, ZGSM-FGD120H6B, ZGSM-FGD180H6B, ZGSM-FGD240H6B]
CE, ROHS, LM80



SERIES-M

UFO LED HIGH BAY LIGHTS



SERIES-M

UFO LED HIGH BAY LIGHTS

HIGH-EFFICACY LED LIGHT SOURCE



Philips Lumileds 3030 2D
Greater than 165lm/W high efficacy, illumination grade LED light source.

Philips Lumileds 5050
Greater than 185lm/W high efficacy, illumination grade LED light source.

HIGH-END LED DRIVER



h-end MeanWell HBG Series LED driver, optimal stability, performance and lifespan.

Electrical & Photometric

★ 3030 Version

Series	Model	LED Qty/ Current	Power	Luminaire efficacy (+/- 5%)	Lumen Output (+/- 5%)	Input Voltage	LED Brand	Driver Brand	Beam Angle	CCT (K)	Lifetime (h)
UFO	ZGSM-UFO100M	152units/ 105mA	100W	140 lm /w	14000 lm	100-240V /277V AC 50 /60Hz	Philips Lumileds 3030 2D	MeanWell	60° (PC Lens) 110° (Tempered Glass)	3000*	>100,000 (L70)
	ZGSM-UFO160M	240units/ 107mA	160W	140 lm /w	22400 lm					4000	
	ZGSM-UFO200M	304units/ 104mA	200W	140 lm /w	28000 lm					5000	
										5700	

*Luminous Efficacy of 3000K is 5% lower than other CCTs.

★ 5050 Version

Series	Model	LED Qty/ Current	Power	Luminaire efficacy (+/- 5%)	Lumen Output (+/- 5%)	Input Voltage	LED Brand	Driver Brand	Beam Angle	CCT (K)	Lifetime (h)
UFO	ZGSM-UFO100M	78units/ 51mA	100W	155 lm /w	15500 lm	100-240V /277V AC 50 /60Hz	Philips Lumileds 5050	MeanWell	60° (PC Lens) 110° (Tempered Glass)	3000*	>100,000 (L70)
	ZGSM-UFO160M	122units/ 53mA	160W	155 lm /w	24800 lm					4000	
	ZGSM-UFO200M	152units/ 53mA	200W	155 lm /w	31000 lm					5000	

*Luminous Efficacy of 3000K is 5% lower than other CCTs.

Working Environment & Packing

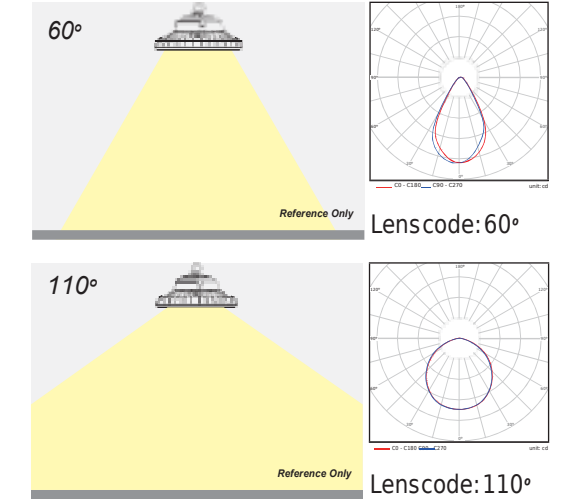
Model	Working Environment	Storage Temperature	Rating	CRI	Power Factor	Power Efficiency	Material	Accessories (Optional)	Product Dimensions (mm)	Carton Size (mm)	Ring mounted		Bracket mounted	
											N.W(kg)	G.W(kg)	N.W(kg)	G.W(kg)
ZGSM-UFO100M	-40°C ~ +50°C 10%~90%RH	-40°C ~ +50°C	Class I IP65 IK08	>70	>0.95	>90%	Housing: Die-cast aluminum Lens: Tempered glass/PC	Motion Sensor	350*350*193	365*365*210	4.9	6.4	5.2	6.7
ZGSM-UFO160M									350*350*193	365*365*210	5.4	6.9	5.7	7.2
ZGSM-UFO200M									350*350*193	365*365*210	6.0	7.5	6.4	7.9

Above data of weight are all typical values.

Certification

Manufacturer
ISO9001, ISO14001
UFO Series [ZGSM-UFO100M, ZGSM-UFO160M, ZGSM-UFO200M.]
CE, ROHS, LM80

Optics



SERIES-A

LED CANOPY LIGHTS

SERIES-A

LED CANOPY LIGHTS

LED LUMINOUS SOURCE



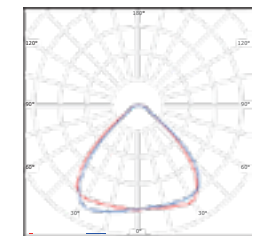
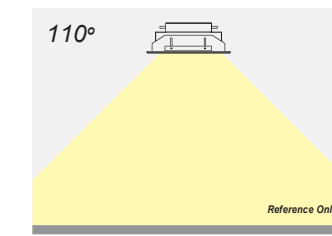
Philips Lumileds 3030 2D has 150lm/W high efficacy, illumination grade LED light source.

LED DRIVER (Two options)



High-end Mean Well HLG Series LED driver, optimal stability, performance and lifespan.

Light Distribution Options



Applications:
Gas Station | Shelf Aisle |
High Hall | High Workshop |
Warehouse

Lens code: 110°



7 YEAR WARRANTY

Electrical & Photometric

★ 3030 Version

Number of Modules	Model	LED Working Current	Power	Luminaire Efficacy (+/- 5%)	Lumen Output (+/- 5%)	Input Voltage	LED Brand	Driver Brand	Beam Angle	CCT (K)	Lifetime (h)
1	ZGSM-QD40A4	75mA	40W	140 lm /w	5600 lm	100-240V /277V AC 50 /60Hz	Philips Lumileds 3030 2D	MeanWell	110°	3000* 4000 5000 5700	>100,000 (L70)
	ZGSM-QD50A5	93mA	50W	135 lm /w	6750 lm						
	ZGSM-QD60A6	115mA	60W	130 lm /w	7800 lm						
2	ZGSM-QD80A4	80mA	80W	140 lm /w	11200 lm						
	ZGSM-QD100A5	97mA	100W	135 lm /w	13500 lm						
	ZGSM-QD120A6	115mA	120W	130 lm /w	15600 lm						
3	ZGSM-QD120A4	80mA	120W	140 lm /w	16800 lm						
	ZGSM-QD150A5	97mA	150W	135 lm /w	20250 lm						
	ZGSM-QD180A6	115mA	180W	130 lm /w	23400 lm						
4	ZGSM-QD160A4	80mA	160W	140 lm /w	22400 lm						
	ZGSM-QD200A5	97mA	200W	135 lm /w	27000 lm						

*Luminous Efficacy of 3000K is 5% lower than other CCTs.

Working Environment & Packing

Number of Modules	Working Environment	Storage Temperature	Rating	CRI	Power Factor	Power Efficiency	Material	Hole Size (mm)	Product Dimensions (mm)	Carton Size (mm)	N.W (kg)	G.W (kg)
1	-40°C ~ +50°C 10% ~ 90%RH	-40°C ~ +50°C	Class I IP65 IK10	>70	>0.95	>90%	Housing: Steel Alloy; Heat sink: Stretched Aluminium Alloy; Lens: PC	103*315	180*365*130	415*200*195	3.2	4.0
2								186*315	264*365*130	415*285*195	4.7	6.7
3								265*315	330*365*130	415*365*195	6.7	8.7
4								350*350	430*400*130	455*455*195	8.4	10.4

Note: Above data of weight are all typical values.

Certification

Manufacturer
ISO9001, ISO14001
A Series [ZGSM-QD40A4, ZGSM-QD80A4, ZGSM-QD120A4, ZGSM-QD160A4 ZGSM-QD50A5, ZGSM-QD100A5, ZGSM-QD150A5, ZGSM-QD200A5 ZGSM-QD60A6, ZGSM-QD120A6, ZGSM-QD180A6]
CE, ROHS, CB, FCC, LM79, LM80, ENEC



+7 (473) 333-02-64
entehooo.ru
office@entehooo.ru



SERIES-H

LED CANOPY LIGHTS



7 YEAR WARRANTY



SERIES-H

LED CANOPY LIGHTS

HIGH-EFFICACY LED LIGHT SOURCE



Philips Lumileds Luxeon 1X
Greater than 135lm/W high efficacy, illumination grade LED light source.



Philips Lumileds 3030 2D
Greater than 150lm/W high efficacy, illumination grade LED light source.



Philips Lumileds 5050
Greater than 185lm/W high efficacy, illumination grade LED light source.

HIGH-END LED DRIVER (Two options)

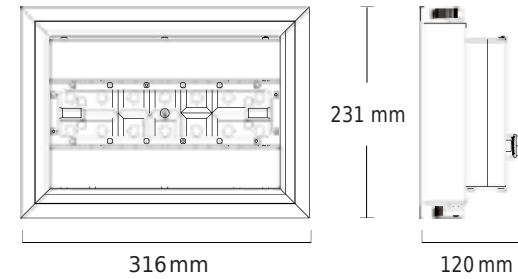
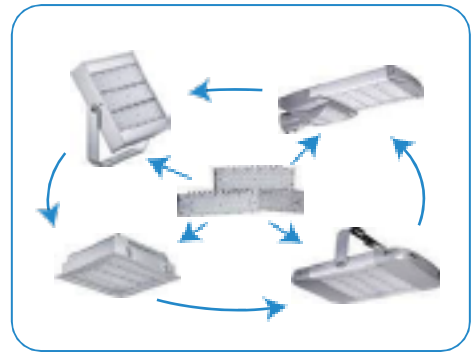


High-end Mean Well HLG Series LED driver, optimal stability, performance and lifespan.



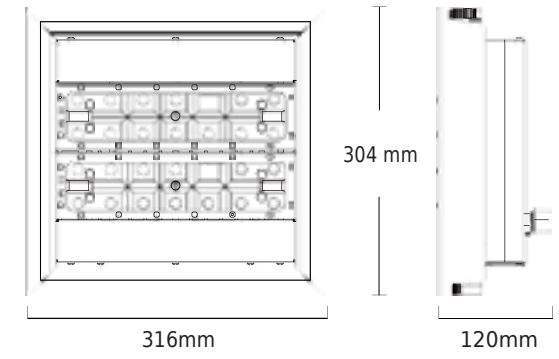
High-end Inventronics programmable LED driver, integrate dimming function and 6KV/10KV surge protection. Provide excellent performance and lifespan.

FLEXIBLE COMBINATIONS OF MODULES



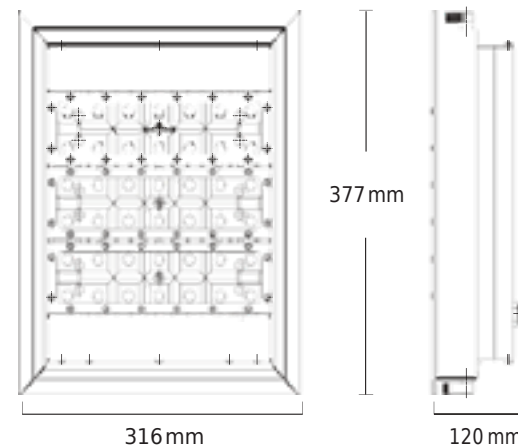
316mm
Ceiling Thickness: 10 - 25 mm
Hole Size: 202 x 285 mm

1 module



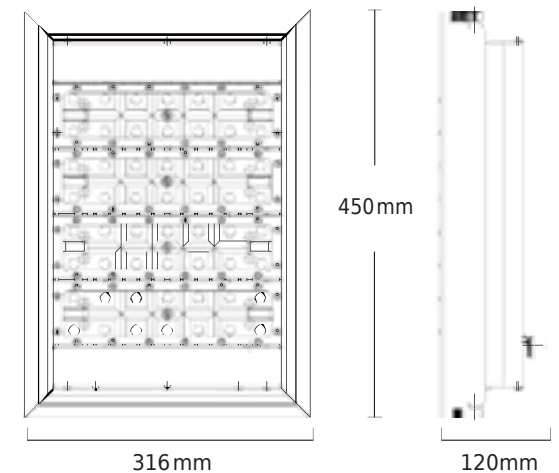
316mm
Ceiling Thickness: 10 - 25 mm
Hole Size: 275 x 285 mm

2 modules



316mm
Ceiling Thickness: 10 - 25 mm
Hole Size: 348 x 285 mm

3 modules



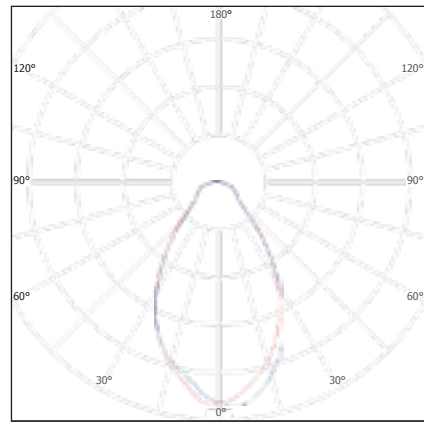
316mm
Ceiling Thickness: 10 - 25 mm
Hole Size: 421 x 285 mm

4 modules

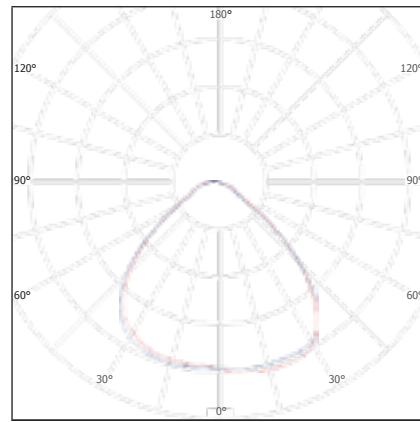
SERIES-H

LED CANOPY LIGHTS

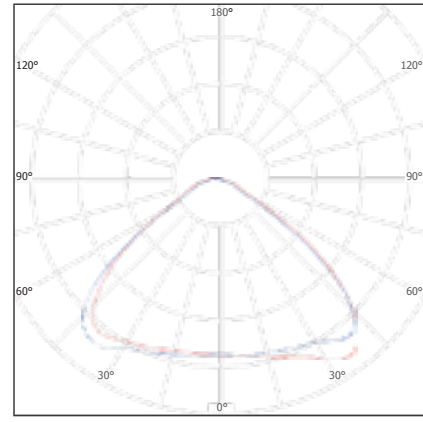
Light Distribution Options



Lens code: 60°



Lens code: 90°



Lens code: 110°

Electrical & Photometric

★ 3030 Version

Number of Modules	Model	LED Working Current	Power	Luminaire Efficacy (+/- 5%)	Lumen Output (+/- 5%)	Input Voltage	LED Brand	Driver Brand	Light Distributions	CCT (K)	Lifetime (h)
1	ZGSM-QD40H4	95mA	40W	130 lm /w	5200 lm	100-240V /277V AC 50 /60Hz	Philips Lumileds 3030 2D	MeanWell Inventronics	60° 90° 110°	3000* 4000 5000 5700	>100,000 (L70)
	ZGSM-QD50H5	115mA	50W	125 lm /w	6250 lm						>80,000 (L70)
	ZGSM-QD60H6	145mA	60W	120 lm /w	7200 lm						>100,000 (L70)
2	ZGSM-QD80H4	100mA	80W	130 lm /w	10400 lm						>80,000 (L70)
	ZGSM-QD100H5	120mA	100W	125 lm /w	12500 lm						>100,000 (L70)
	ZGSM-QD120H6	145mA	120W	120 lm /w	14400 lm						>80,000 (L70)
3	ZGSM-QD120H4	100mA	120W	130 lm /w	15600 lm						>100,000 (L70)
	ZGSM-QD150H5	120mA	150W	125 lm /w	18750 lm						>80,000 (L70)
	ZGSM-QD180H6	145mA	180W	120 lm /w	21600 lm						>100,000 (L70)
4	ZGSM-QD160H4	100mA	160W	130 lm /w	20800 lm						>80,000 (L70)
	ZGSM-QD200H5	120mA	200W	125 lm /w	25000 lm						>100,000 (L70)
	ZGSM-QD240H6	145mA	240W	120 lm /w	28800 lm						>80,000 (L70)

*Luminous Efficacy of 3000K is 5% lower than other CCTs.

★ 3535 Version

Number of Modules	Model	LED Working Current	Power	Luminaire Efficacy (+/- 5%)	Lumen Output (+/- 5%)	Input Voltage	LED Brand	Driver Brand	Light Distributions	CCT (K)	Lifetime (h)
1	ZGSM-QD40H	860mA	40W	110 lm /w	4400 lm	100-240V /277V AC 50 /60Hz	Philips Lumileds Luxeon TX	MeanWell Inventronics	60° 90° 110°	3000* 4000 5000 5700	>100,000 (L70)
2	ZGSM-QD80H	900mA	80W	110 lm /w	8800 lm						
3	ZGSM-QD120H	900mA	120W	110 lm /w	13200 lm						
4	ZGSM-QD160H	900mA	160W	110 lm /w	17600 lm						

*Luminous Efficacy of 3000K is 5% lower than other CCTs.



+7 (473) 333-02-64
entehoo.ru
office@entehoo.ru

SERIES-H

LED CANOPY LIGHTS

★ 5050 Version

Number of Modules	Model	LED Working Current	Power	Luminaire Efficacy (+/- 5%)	Lumen Output (+/- 5%)	Input Voltage	LED Brand	Driver Brand	Light Distributions	CCT (K)	Lifetime (h)
1	ZGSM-QD40H4	48mA	40W	160 lm /w	6400 lm	100-240V /277V AC 50 /60Hz	Philips Lumileds 5050	MeanWell Inventronics	110°	3000* 4000 5000 5700	>100,000 (L70)
	ZGSM-QD50H5	59mA	50W	155 lm /w	7750 lm						
	ZGSM-QD60H6	75mA	60W	155 lm /w	9300 lm						
2	ZGSM-QD80H4	50mA	80W	165 lm /w	13200 lm						
	ZGSM-QD100H5	61mA	100W	160 lm /w	16000 lm						
	ZGSM-QD120H6	75mA	120W	155 lm /w	18600 lm						
3	ZGSM-QD120H4	50mA	120W	165 lm /w	19800 lm						
	ZGSM-QD150H5	58mA	150W	160 lm /w	24000 lm						
	ZGSM-QD180H6	75mA	180W	155 lm /w	27900 lm						
4	ZGSM-QD160H4	50mA	160W	165 lm /w	26400 lm						
	ZGSM-QD200H5	58mA	200W	160 lm /w	32000 lm						
	ZGSM-QD240H6	75mA	240W	155 lm /w	37200 lm						

*Luminous Efficacy of 3000K is 5% lower than other CCTs.

Working Environment & Packing

Number of Modules	Working Environment	Storage Temperature	Rating	CRI	Power Factor	Power Efficiency	Material	Hole Size (mm)	Product Dimensions (mm)	Carton Size (mm)	N.W (kg)	G.W (kg)
1	-40°C ~ +50°C 10% ~ 90%RH	-40°C ~ +50°C	Class I IP66 IK10	>70	>0.95	>90%	Housing: Aluminium Alloy; Lens: PC	202*285	231*316*120	285*370*200	2.4	3.1
2								275*285	304*316*120	355*370*200	3.6	4.4
3								348*285	377*316*120	430*370*200	4.4	5.2
4								421*285	450*316*120	505*370*200	5.4	6.3

Note: Above data of weight are all typical values.

Certification

Manufacturer
ISO9001, ISO14001
H Series [ZGSM-QD40H, ZGSM-QD80H, ZGSM-QD120H, ZGSM-QD160H]
CE, ROHS, GS, CB, SAA, LM80, ATEX
H4/H5 Series [ZGSM-QD40H4, ZGSM-QD80H4, ZGSM-QD120H4, ZGSM-QD160H4 ZGSM-QD50H5, ZGSM-QD100H5, ZGSM-QD150H5, ZGSM-QD200H5]
CE, ROHS, LM80, ATEX
H6 Series [ZGSM-QD60H6, ZGSM-QD120H6, ZGSM-QD180H6, ZGSM-QD240H6]
CE, ROHS, LM80



SERIES-H

LED TUNNEL LIGHTS



7 YEAR WARRANTY

SERIES-H

LED TUNNEL LIGHTS

HIGH-EFFICACY LED LIGHT SOURCE



Philips Lumileds Luxeon TX
Greater than 135lm/W high efficacy, illumination grade LED light source.



Philips Lumileds 3030 2D
Greater than 150lm/W high efficacy, illumination grade LED light source.



Philips Lumileds 5050
Greater than 185lm/W high efficacy, illumination grade LED light source.

HIGH-END LED DRIVER (Two options)

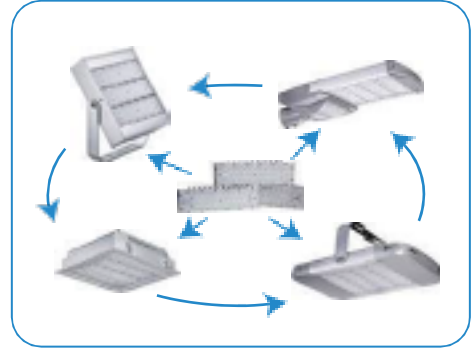


High-end Mean Well HLG Series LED driver, optimal stability, performance and lifespan.

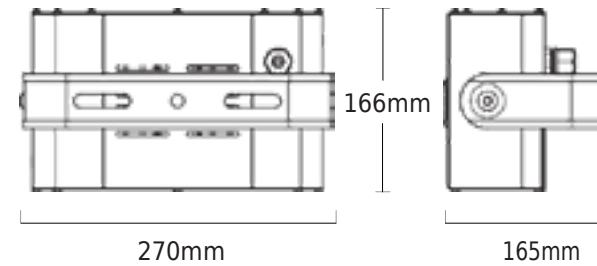


High-end Inventronics programmable LED driver, integrate dimming function and 6KV/10KV surge protection. Provide excellent performance and lifespan.

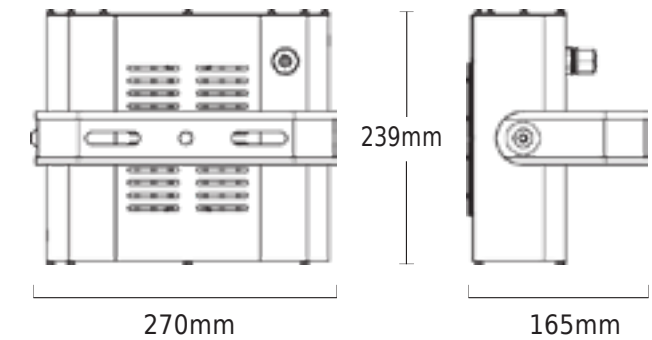
FLEXIBLE COMBINATIONS OF MODULES



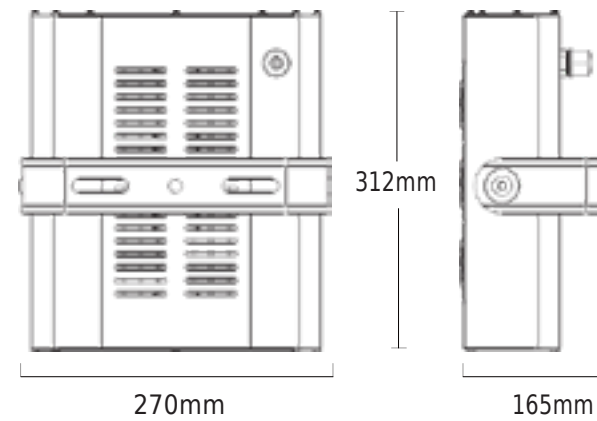
Dimension



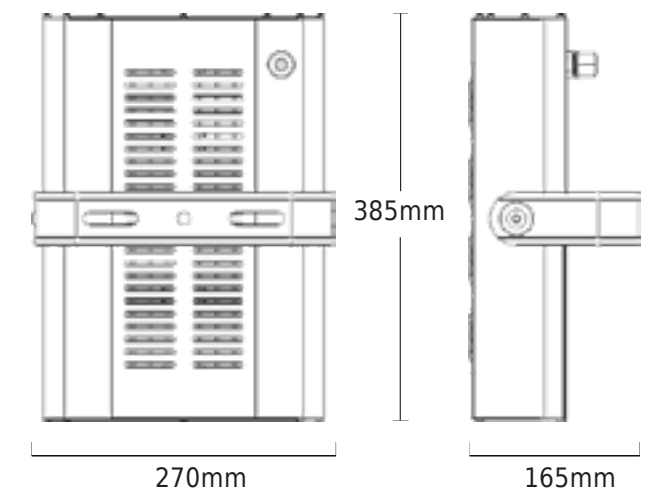
1 module



2 modules



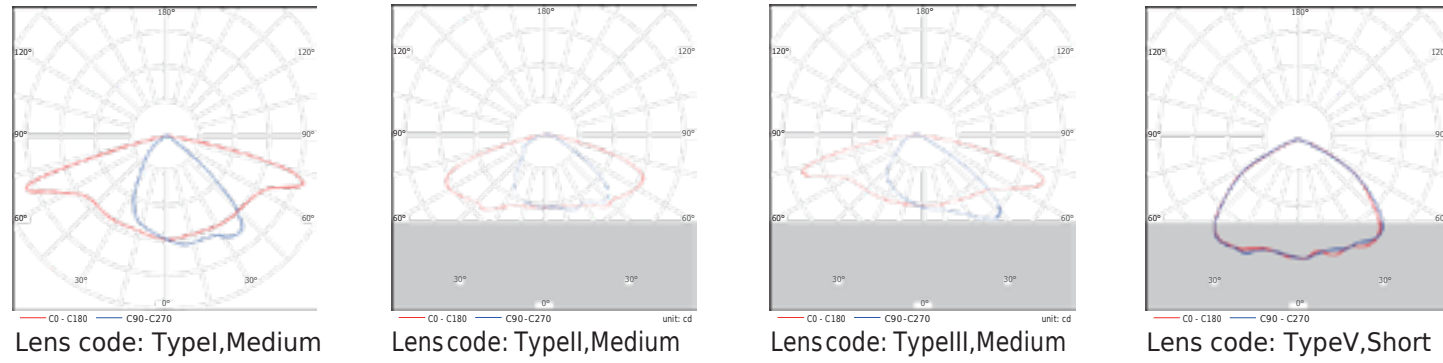
3 modules



4 modules

SERIES-H

LED TUNNEL LIGHTS



Electrical & Photometric

★ 3030 Version

Number of Modules	Model	LED Working Current	Power	Luminaire Efficacy (+/- 5%)	Lumen Output (+/- 5%)	Input Voltage	LED Brand	Driver Brand	Light Distributions	CCT (K)	Lifetime (h)
1	ZGSM-SDD40H4	95mA	40W	130 lm /w	5200 lm	100-240V /277V AC 50 /60Hz	Philips Lumileds 3030 2D	MeanWell Inventronics	Typel, Medium Typell, Medium Typelll, Medium TypeV, Short	3000* 4000 5000 5700	>100,000 (L70)
	ZGSM-SDD50H5	115mA	50W	125 lm /w	6250 lm						>80,000 (L70)
	ZGSM-SDD60H6	145mA	60W	120 lm /w	7200 lm						>100,000 (L70)
2	ZGSM-SDD80H4	100mA	80W	130 lm /w	10400 lm						>80,000 (L70)
	ZGSM-SDD100H5	120mA	100W	125 lm /w	12500 lm						>100,000 (L70)
	ZGSM-SDD120H6	145mA	120W	120 lm /w	14400 lm						>80,000 (L70)
3	ZGSM-SDD120H4	100mA	120W	130 lm /w	15600 lm						>100,000 (L70)
	ZGSM-SDD150H5	120mA	150W	125 lm /w	18750 lm						>80,000 (L70)
	ZGSM-SDD180H6	145mA	180W	120 lm /w	21600 lm						>100,000 (L70)
4	ZGSM-SDD160H4	100mA	160W	130 lm /w	20800 lm						>80,000 (L70)
	ZGSM-SDD200H5	120mA	200W	125 lm /w	25000 lm						>100,000 (L70)
	ZGSM-SDD240H6	145mA	240W	120 lm /w	28800 lm						>80,000 (L70)

*Luminous Efficacy of 3000K is 5% lower than other CCTs.

★ 3535 Version

Number of Modules	Model	LED Working Current	Power	Luminaire Efficacy (+/- 5%)	Lumen Output (+/- 5%)	Input Voltage	LED Brand	Driver Brand	Light Distributions	CCT (K)	Lifetime (h)
1	ZGSM-SDD40H	860mA	40W	110 lm /w	4400 lm	100-240V /277V AC 50 /60Hz	Philips Lumileds Luxeon TX	MeanWell Inventronics	Typel, Medium Typell, Medium Typelll, Medium TypeV, Short	3000* 4000 5000 5700	>100,000 (L70)
2	ZGSM-SDD80H	900mA	80W	110 lm /w	8800 lm						
3	ZGSM-SDD120H	900mA	120W	110 lm /w	13200 lm						
4	ZGSM-SDD160H	900mA	160W	110 lm /w	17600 lm						

*Luminous Efficacy of 3000K is 5% lower than other CCTs.

SERIES-H

LED TUNNEL LIGHTS

★ 5050 Version

Number of Modules	Model	LED Working Current	Power	Luminaire Efficacy (+/- 5%)	Lumen Output (+/- 5%)	Input Voltage	LED Brand	Driver Brand	Light Distributions	CCT (K)	Lifetime (h)
1	ZGSM-SDD40H4	48mA	40W	160 lm /w	6400 lm	100-240V /277V AC 50 /60Hz	Philips Lumileds 5050	MeanWell Inventronics	Typell, Medium TypeV, Short	3000* 4000 5000 5700	>100,000 (L70)
	ZGSM-SDD50H5	59mA	50W	155 lm /w	7750 lm						
	ZGSM-SDD60H6	75mA	60W	155 lm /w	9300 lm						
2	ZGSM-SDD80H4	50mA	80W	165 lm /w	13200 lm						
	ZGSM-SDD100H5	61mA	100W	160 lm /w	16000 lm						
	ZGSM-SDD120H6	75mA	120W	155 lm /w	18600 lm						
3	ZGSM-SDD120H4	50mA	120W	165 lm /w	19800 lm						
	ZGSM-SDD150H5	58mA	150W	160 lm /w	24000 lm						
	ZGSM-SDD180H6	75mA	180W	155 lm /w	27900 lm						
4	ZGSM-SDD160H4	50mA	160W	165 lm /w	26400 lm						
	ZGSM-SDD200H5	58mA	200W	160 lm /w	32000 lm						
	ZGSM-SDD240H6	75mA	240W	155 lm /w	37200 lm						

*Luminous Efficacy of 3000K is 5% lower than other CCTs.

Working Environment & Packing

Number of Modules	Working Environment	Storage Temperature	Rating	CRI	Power Factor	Power Efficiency	Material	Product Dimensions (mm)	Carton Size (mm)	N.W (kg)	G.W (kg)
1	-40.0°C ~ +50.0°C 10%~90%RH	-40 °C ~ +50 °C	Class I IP66 IK10	>70	>0.95	>90%	Housing: Aluminium Alloy; Lens: PC	166*270*165	285*370*200	2.3	3.0
2								239*270*165	355*370*200	3.5	4.3
3								312*270*165	430*370*200	4.4	5.2
4								385*270*165	505*370*200	5.2	6.1

Note: Above data of weight are all typical values.

Certification

Manufacturer
ISO9001, ISO14001
H Series [ZGSM-SDD40H, ZGSM-SDD80H, ZGSM-SDD120H, ZGSM-SDD160H]
CE, ROHS, GS, CB, SAA, LM80
H4/H5 Series [ZGSM-SDD40H4, ZGSM-SDD80H4, ZGSM-SDD120H4, ZGSM-SDD160H4 ZGSM-SDD50H5, ZGSM-SDD100H5, ZGSM-SDD150H5, ZGSM-SDD200H5]
CE, ROHS, LM80
H6 Series [ZGSM-SDD60H6, ZGSM-SDD120H6, ZGSM-SDD180H6, ZGSM-SDD240H6]
CE, ROHS, LM80

SERIES-PV

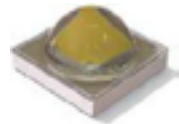
LED SOLAR STREET LIGHTS



3 YEAR WARRANTY

LED LUMINOUS SOURCE

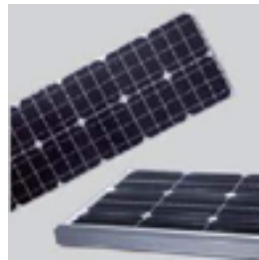
Greater than 130lm/W high efficacy, each LG LED owns electrostatic protection component, maximally avoid the damage of electrostatic.



LG Innotek

SOLAR PANEL

Solar panel absorbs sunlight and convert it into electricity



LITHIUM IRON PHOSPHATE BATTERY

Lithium iron phosphate battery improves the reliability of the luminaire. Low temperature charging protection, which effectively protects the battery



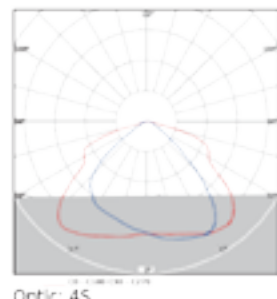
INDUCTION CONTROLLER /REMOTE CONTROL



Main Features

- Adopts MPPT charging method, which increases the utilization of solar panel.
- Lithium battery low temperature charging protection, which effectively protects the battery.
- Three induction stages design. Working time can be set from 0h to 15hours, power range from 0~100%
- Human infrared induction or microwave induction function for optional, Factory default is infrared induction.
- Sensitive time delay can be set from 0s~250s.
- Record system status, can record 7days and monitor the whole system.
- Overheat protection function, when the controller reaches a certain temperature, it will decrease or close the load.
- Working status indication, easy to maintain.

Light Distribution Options

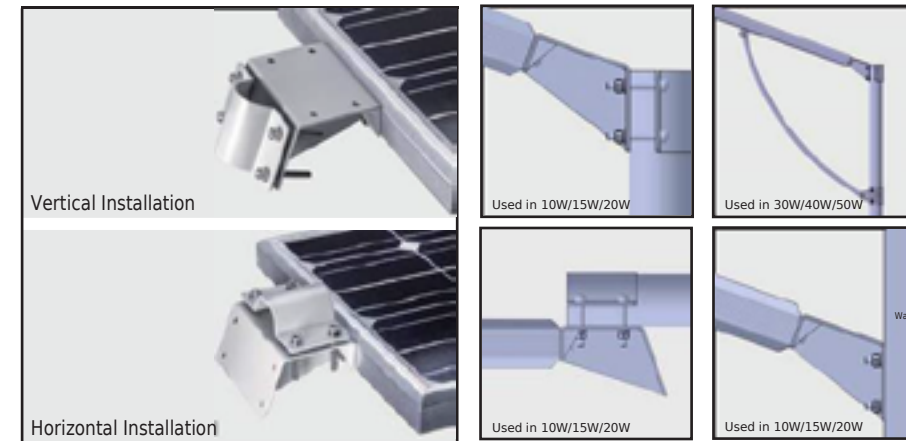


Application:
Garden, Residence, Courtyard,
Pedestrian and Branch Road,
Mine and Parking Lot,
Areas with no electrical supply

SERIES-PV

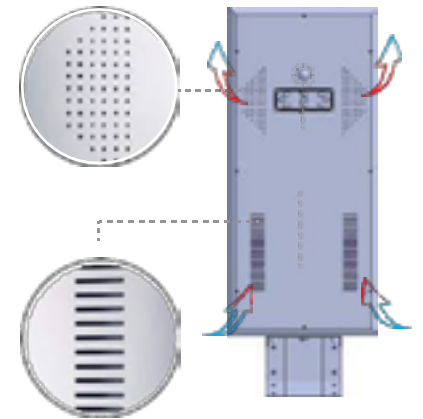
LED SOLAR STREET LIGHTS

FLEXIBLE INSTALLATION



The installation can be adjusted according to different environments or illumination needs.

XTREME LUMINAIRE DESIGN



Xtreme luminaire design not only exquisite appearance, but also increased heat dissipation speed and keep ventilation

Electrical & Photometric

Model	Qty of Modules/ LEDs	Power	Luminaire efficacy (+/- 5%)	Lumen Output (+/- 5%)	Solar Panel	Battery Spec.	Constant worktime at 100% power	Energy Save Mode (30% power)	Charge time	LED Brand	CCT (K)	Light Distributions
ZGSM-PVLD10	1/ 8units	10W	120 lm /w	1200 lm	Monocrystal 25W/18V	9AH/ 12.8(LifeP04)	>8 Hours	>27 Hours	<5 Hours	LG	3000* 4000 5000 5700	TypeIV,Short
ZGSM-PVLD15	1/ 8units	15W	110 lm /w	1650 lm	Monocrystal 25W/18V	9AH/ 12.8(LifeP04)	>5.5 Hours	>18 Hours	<5 Hours			
ZGSM-PVLD20	2/ 16units	20W	120 lm /w	2400 lm	Monocrystal 33W/18V	15AH/ 12.8(LifeP04)	>6.5 Hours	>22 Hours	<5 Hours			
ZGSM-PVLD30	3/ 24units	30W	120 lm /w	3600 lm	Monocrystal 50W/18V	24AH/ 12.8(LifeP04)	>7 Hours	>24 Hours	<5 Hours			
ZGSM-PVLD40	4/ 32units	40W	120 lm /w	4800 lm	Monocrystal 75W/17.5V	30AH/ 12.8(LifeP04)	>6.5 Hours	>22 Hours	<5 Hours			
ZGSM-PVLD50	4/ 32units	50W	110 lm /w	5500 lm	Monocrystal 75W/17.5V	36AH/ 12.8(LifeP04)	>6.5 Hours	>22 Hours	<5 Hours			

*Luminous Efficacy of 3000K is 5% lower than other CCTs.

Working Environment & Packing

Model	Working Environment	Storage Temperature	Rating	CRI	Installation Height	Pole Distance	Material	Pole Aperture (mm)	Product Dimensions (mm)	Carton Size (mm)	N.W (kg)	G.W (kg)
ZGSM-PVLD10	-20 ℃ ~ +60 ℃ 10% ~ 90%RH	-20 ℃ ~ +40 ℃	IP65 IK10	>70	3-4m	9-14m	Housing: Aluminum Alloy Lens: PC	Round Pole: Φ40-60mm	782*301*87.5	875*390*155	7.4	11.3
ZGSM-PVLD15					3-5m	9-17m			782*301*87.5	875*390*155	7.4	11.3
ZGSM-PVLD20					4-5m	12-17m			969*301*87.5	1060*390*155	9.2	14.6
ZGSM-PVLD30					4-6m	12-21m			1155*363*87.5	1240*460*155	15.0	20.5
ZGSM-PVLD40					5-6m	15-21m			1289*447*87.5	1385*535*155	18.1	26.8
ZGSM-PVLD50					5-7m	15-25m			1289*447*87.5	1385*535*155	18.9	27.5

Note: Above data of weight are all typical values.

Certification

Manufacturer
ISO9001, ISO14001
PV Series [ZGSM-PVLD10, ZGSM-PVLD15, ZGSM-PVLD20, ZGSM-PVLD30, ZGSM-PVLD40, ZGSM-PVLD50]
CE, ROHS, LM80



+7 (473) 333-02-64
entehoo.ru
office@entehoo.ru



SERIES-PV2

LED SOLAR STREET LIGHTS



3 YEAR WARRANTY



LED LUMINOUS SOURCE

Greater than 150lm/W high efficacy, illumination grade LED light source.



SOLAR PANEL

Solar panel absorbs sunlight and convert it into electricity. Efficiency more than 17%.



LITHIUM IRON PHOSPHATE BATTERY

Lithium iron phosphate battery improves the reliability of the luminaire. Low temperature charging protection, which effectively protects the battery.



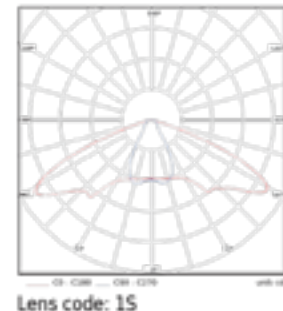
INDUCTION CONTROLLER /REMOTE CONTROL



Main Features

- Adopts MPPT charging method, which increases the utilization of solar panel.
- Lithium battery low temperature charging protection, which effectively protects the battery.
- Three induction stages design. Working time can be set from 0h to 15 hours, power range from 0~100%
- Human infrared induction or microwave induction function for optional, Factory default is infrared induction.
- Sensitive time delay can be set from 0s~250s.
- Record system status, can record 7 days and monitor the whole system.
- Overheat protection function, when the controller reaches a certain temperature, it will decrease or close the load.
- Working status indication, easy to maintain.

Light Distribution Options



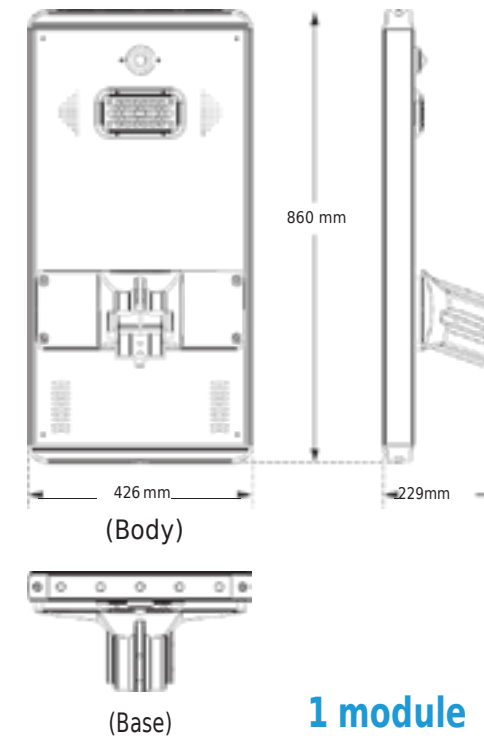
Application (Driverway width=3.5M):

- Garden, Residence, Courtyard
- Pedestrian and Branch Road
- Mine and Parking Lot
- Areas with no electrical supply

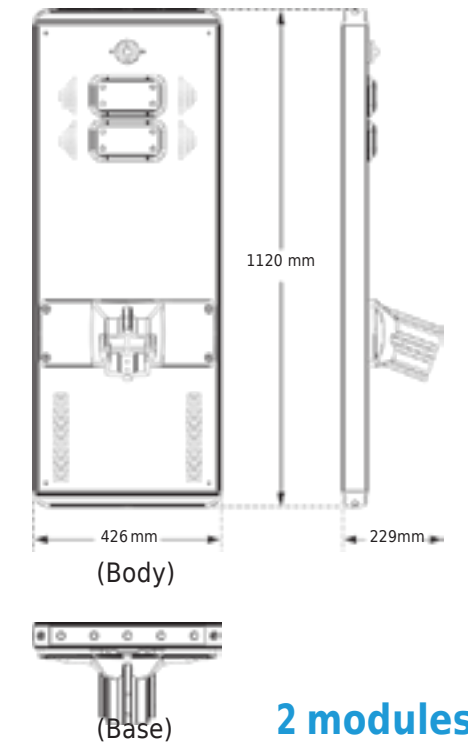
SERIES-PV2

LED SOLAR STREET LIGHTS

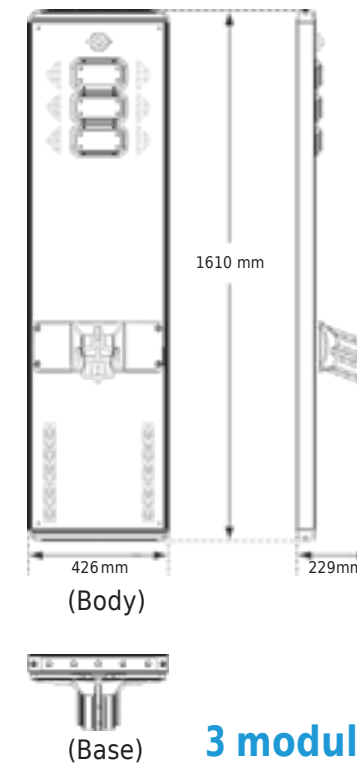
Dimension



1 module



2 modules



3 modules

SERIES-PV2

LED SOLAR STREET LIGHTS

Electrical & Photometric

Solar Panel Spec.	Model	Power	Modules Qty	Luminaire efficacy (+/- 5%)	Lumen Output (+/- 5%)	Battery Spec. (LiFePO4)	Constant worktime at 100% power	Constant worktime at 30% power (Energy savemode)	Charge Time (low battery voltage)	Installation Height	Pole Distance
50W Monocrystal	ZGSM-PV501009	10W	1 (30 LEDs)	145 lm/ w	1450 lm	9AH /12.8V	>9 Hours	>32 Hours	<2.5 Hours	3~4m	9~14m
	ZGSM-PV501509	15W	1 (30 LEDs)	140 lm/ w	2100 lm	9AH /12.8V	>6 Hours	>20 Hours	<2.5 Hours	3~5m	9~17m
	ZGSM-PV502009	20W	1 (30 LEDs)	130 lm/ w	2600 lm	9AH /12.8V	>4.5 Hours	>16 Hours	<2.5 Hours	4~5m	12~17m
	ZGSM-PV502018	20W	1 (30 LEDs)	130 lm/ w	2600 lm	18AH /12.8V	>9 Hours	>30 Hours	<5 Hours	4~5m	12~17m
	ZGSM-PV503018	30W	2 (60 LEDs)	140 lm/ w	4200 lm	18AH /12.8V	>6 Hours	>21 Hours	<5 Hours	4~6m	12~21m
	ZGSM-PV504018	40W	2 (60 LEDs)	130 lm/ w	5200 lm	18AH /12.8V	>4.5 Hours	>16 Hours	<5 Hours	5~6m	15~21m
	ZGSM-PV504027	40W	2 (60 LEDs)	130 lm/ w	5200 lm	27AH /12.8V	>6.5 Hours	>23 Hours	<6.5 Hours	5~6m	15~21m
	ZGSM-PV505027	50W	2 (60 LEDs)	125 lm/ w	6250 lm	27AH /12.8V	>5.5 Hours	>19 Hours	<6.5 Hours	5~7m	15~25m

Electrical & Photometric

Solar Panel Spec.	Model	Power	Modules Qty	Luminaire efficacy (+/- 5%)	Lumen Output (+/- 5%)	Battery Spec. (LiFePO4)	Constant worktime at 100% power	Constant worktime at 30% power (Energy savemode)	Charge Time (low battery voltage)	Installation Height	Pole Distance
70W Monocrystal	ZGSM-PV702018	20W	2 (60 LEDs)	145 lm/ w	2900 lm	18AH /12.8V	>9 Hours	>30 Hours	<3.5 Hours	4~5m	12~17m
	ZGSM-PV703018	30W	2 (60 LEDs)	140 lm/ w	4200 lm	18AH /12.8V	>6 Hours	>20 Hours	<3.5 Hours	4~6m	12~21m
	ZGSM-PV703027	30W	2 (60 LEDs)	140 lm/ w	4200 lm	27AH /12.8V	>9 Hours	>30 Hours	<5 Hours	4~6m	12~21m
	ZGSM-PV704018	40W	2 (60 LEDs)	130 lm/ w	5200 lm	18AH /12.8V	>4.5 Hours	>16 Hours	<3.5 Hours	5~6m	15~21m
	ZGSM-PV704027	40W	2 (60 LEDs)	130 lm/ w	5200 lm	27AH /12.8V	>6.5 Hours	>23 Hours	<5 Hours	5~6m	15~21m
	ZGSM-PV704036	40W	2 (60 LEDs)	130 lm/ w	5200 lm	36AH /12.8V	>9 Hours	>30 Hours	<6 Hours	5~6m	15~21m
	ZGSM-PV705027	50W	3 (90 LEDs)	135 lm/ w	6750 lm	27AH /12.8V	>5.5 Hours	>19 Hours	<5 Hours	5~7m	15~25m
	ZGSM-PV705036	50W	3 (90 LEDs)	135 lm/ w	6750 lm	36AH /12.8V	>7 Hours	>25 Hours	<6 Hours	5~7m	15~25m
Monocrystal 70W	ZGSM-PV706027	60W	3 (90 LEDs)	130 lm/ w	7800 lm	27AH /12.8V	>4.5 Hours	>16 Hours	<5 Hours	6~8m	18~35m
	ZGSM-PV706036	60W	3 (90 LEDs)	130 lm/ w	7800 lm	36AH /12.8V	>6 Hours	>20 Hours	<6 Hours	6~8m	18~35m

Certification

Manufacturer
ISO9001, ISO14001
PV2 Series [All the models]
CE, ROHS, LM80



+7 (473) 333-02-64
entehoo.ru
office@entehoo.ru

SERIES-PV2

LED SOLAR STREET LIGHTS

Electrical & Photometric

Solar Panel Spec.	Model	Power	Modules Qty	Luminaire efficacy (+/- 5%)	Lumen Output (+/- 5%)	Battery Spec. (LiFePO4)	Constant worktime at 100% power	Constant worktime at 30% power (Energy savemode)	Charge Time (low battery voltage)	Installation Height	Pole Distance
100W Monocrystal	ZGSM-PV1003018	30W	3 (90 LEDs)	145 lm/ w	4350 lm	18AH /12.8V	>6 Hours	>20 Hours	<2.2 Hours	4~6m	12~21m
	ZGSM-PV1003027	30W	3 (90 LEDs)	145 lm/ w	4350 lm	27AH /12.8V	>9 Hours	>30 Hours	<3.5 Hours	4~6m	12~21m
	ZGSM-PV1004018	40W	3 (90 LEDs)	140 lm/ w	5600 lm	18AH /12.8V	>4.5 Hours	>16 Hours	<2.2 Hours	5~6m	15~21m
	ZGSM-PV1004027	40W	3 (90 LEDs)	140 lm/ w	5600 lm	27AH /12.8V	>6.5 Hours	>23 Hours	<3.5 Hours	5~6m	15~21m
	ZGSM-PV1004036	40W	3 (90 LEDs)	140 lm/ w	5600 lm	36AH /12.8V	>9 Hours	>30 Hours	<4.5 Hours	5~6m	15~21m
	ZGSM-PV1005027	50W	3 (90 LEDs)	135 lm/ w	6750 lm	27AH /12.8V	>5.5 Hours	>19 Hours	<3.5 Hours	5~7m	15~25m
	ZGSM-PV1005036	50W	3 (90 LEDs)	135 lm/ w	6750 lm	36AH /12.8V	>7 Hours	>25 Hours	<4.5 Hours	5~7m	15~25m
	ZGSM-PV1005045	50W	3 (90 LEDs)	135 lm/ w	6750 lm	45AH /12.8V	>9 Hours	>30 Hours	<5.5 Hours	5~7m	15~25m
	ZGSM-PV1006027	60W	3 (90 LEDs)	130 lm/ w	7800 lm	27AH /12.8V	>4.5 Hours	>16 Hours	<3.5 Hours	6~8m	18~35m
	ZGSM-PV1006036	60W	3 (90 LEDs)	130 lm/ w	7800 lm	36AH /12.8V	>6 Hours	>20 Hours	<4.5 Hours	6~8m	18~35m
	ZGSM-PV1006045	60W	3 (90 LEDs)	130 lm/ w	7800 lm	45AH /12.8V	>7 Hours	>23 Hours	<5.5 Hours	6~8m	18~35m

Working Environment & Packing

Solar Panel	Model	Working Temperature	CRI	CCT	Optic	Rating	Induction Type	Pole Aperture	Body/ Base Carton Size (mm)	N.W (kg)	Body/ Base G.W (kg)		
Monocrystal 50W	ZGSM-PV501009 ZGSM-PV501509 ZGSM-PV502009	-20°C ~ +60°C	>70	3000* 4000 5000 5700	1S	IP65 IK10	Human infrared induction or microwave induction function for optional, Factory default is infrared induction.	Round pole: Φ60~85mm; Square pole: 60 x60 ~77 x77mm	915*485*140/ 410*160*205	13.8	11.9/ 4.2		
	ZGSM-PV502018									14.9	13.0/ 4.2		
	ZGSM-PV503018 ZGSM-PV504018									15.3	13.4/ 4.2		
	ZGSM-PV504027 ZGSM-PV505027									16.5	14.6/ 4.2		
	Monocrystal 70W									ZGSM-PV702018 ZGSM-PV703018 ZGSM-PV704018	1175*485*140/ 410*160*205	16.8	15.3/ 4.2
										ZGSM-PV703027 ZGSM-PV704027		18.0	16.4/ 4.2
ZGSM-PV704036									19.0	17.4/ 4.2			
ZGSM-PV705027 ZGSM-PV706027									18.4	16.8/ 4.2			
ZGSM-PV705036 ZGSM-PV706036									19.4	17.8/ 4.2			
Monocrystal 100W									ZGSM-PV1003018 ZGSM-PV1004018	1665*485*140/ 410*160*205		22.8	22.1/ 4.2
	ZGSM-PV1003027 ZGSM-PV1004027 ZGSM-PV1005027 ZGSM-PV1006027								23.8		23.1/ 4.2		
	ZGSM-PV1004036 ZGSM-PV1005036 ZGSM-PV1006036												
	ZGSM-PV1005045 ZGSM-PV1006045	25.0	24.3/ 4.2										

Note: Above data of weight are all typical values.



SERIES-J LED STADIUM LIGHTS



5 YEAR
WARRANTY

SERIES-J LED STADIUM LIGHTS

HIGH-EFFICACY LED LIGHT SOURCE



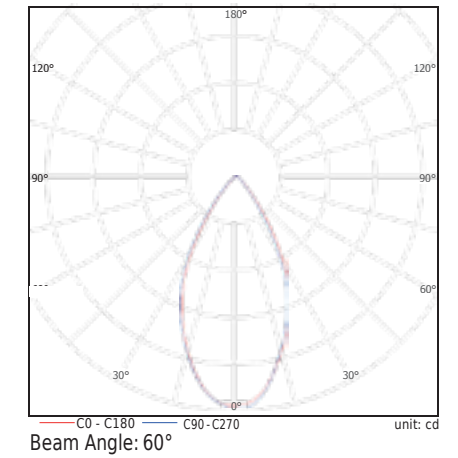
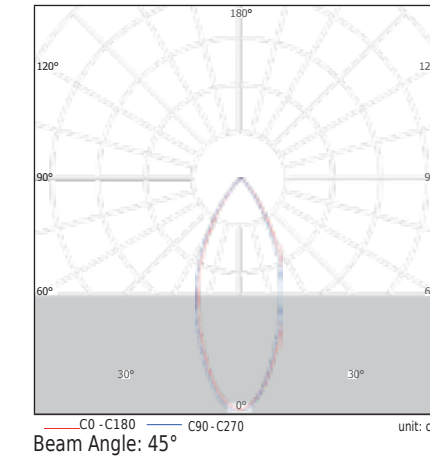
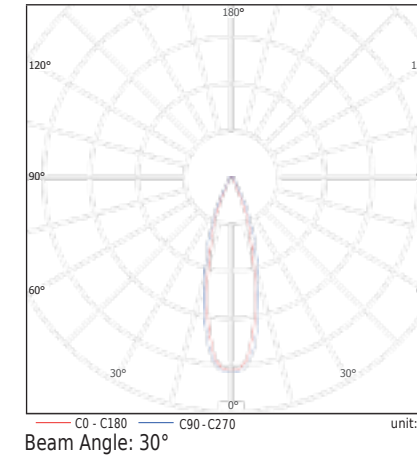
Philips Lumileds Luxeon TX
than 135lm/W high efficacy illumination
grade LED light source.

HIGH-END LED DRIVER (Two options)



High-end Inventronics programmable LED driver, integrate dimming function and 6KV/10KV surge protection. Provide excellent performance and lifespan.

Light Distribution Options



No.	Model	LED Working Current	Power	Luminaire Efficacy (+/- 5%)	Lumen Output (+/- 5%)	Input Voltage	LED Brand	Driver Brand	Light Distributions	CCT (K)	Lifetime (h)
1	ZGSM-TGD280J	700mA	280W	112 lm /w	31360 lm	100-240V /277V AC 50 /60Hz	Philips Lumileds Luxeon TX	Inventronics	30° 45° 60°	3000* 4000 5000 5700	>100,000 (L70)
2	ZGSM-TGD560J	700mA	560W	112 lm /w	62720 lm						
3	ZGSM-TGD840J	700mA7	840W	112 lm /w	94080 lm						

*Luminous Efficacy of 3000K is 5% lower than other CCTs.

Working Environment & Packing

Power	Working Environment	Storage Temperature	Rating	CRI	Power Factor	Power Efficiency	Material	Product Dimensions (mm)	Carton Size (mm)	N.W (kg)	G.W (kg)			
280W	-40.0°C ~ +50.0°C 10%~90%RH	-40 °C ~ +50 °C	Class I IP65 IK10	>70	>0.95	>90%	Housing: Die-cast aluminum; Tempered Glass	634*192*291	690*390*235	14	19.5			
560W								634*384*339				690*530*235	26	34.0
840W								634*576*435				690*720*235	39.5	50.0

Note: Above data of weight are all typical values.

Certification

Manufacturer
ISO9001, ISO14001
J Series [ZGSM-TGD280J, TGD560J, TGD840J]
CE, ROHS, LM80